

From Many Places to Few: Automatic Abstraction Refinement for Petri Nets*

Pierre Ganty

Jean-François Raskin

Laurent Van Begin[†]

Abstract. Current algorithms for the automatic verification of Petri nets suffer from the explosion caused by the high dimensionality of the state spaces of practical examples. In this paper, we develop an abstract interpretation based analysis that reduces the dimensionality of state spaces that are explored during verification. In our approach, the dimensionality is reduced by trying to gather places that may not be important for the property to establish. If the abstraction that is obtained is too coarse, an automatic refinement is performed and a more precise abstraction is obtained. The refinement is computed by taking into account information about the inconclusive analysis. The process is iterated until the property is proved to be true or false.

1. Introduction

Petri nets (and their monotonic extensions) are well-adapted tools for modeling concurrent and infinite state systems like, for instance, parameterized systems [19]. Even though their state space is infinite, several interesting problems are decidable on Petri nets. The seminal work of Karp and Miller [21] shows that, for Petri nets, an effective representation of the downward closure of the set of reachable markings, the so-called *coverability set*, is constructible. This coverability set is the main tool needed to decide several interesting problems and in particular the *coverability problem*. The coverability problem asks: “given a Petri net N , an initial marking m_0 and a marking m , is there a marking m' reachable from m_0 which is greater or equal to m ”. The coverability problem was shown decidable in the nineties for the larger class of *well-structured transition systems* [13, 1]. That class of transition systems includes a large number of interesting infinite state models including Petri nets and their monotonic extensions.

A large number of works have been devoted to the study of efficient techniques for the automatic verification of coverability properties of infinite state Petri nets, see for example [10, 3, 2, 20]. Forward and backward algorithms are now available and have been implemented to show their practical relevance. All those methods manipulate, somehow, infinite sets of markings. Sets of markings are subsets of \mathbb{N}^k where \mathbb{N} is the set of positive integers and k is the number of places in the Petri net. We call k its *dimension*. When k becomes large the above mentioned methods suffer from the *dimensionality problem*: the sets that have to be handled have large representations that make them hard to manipulate efficiently.

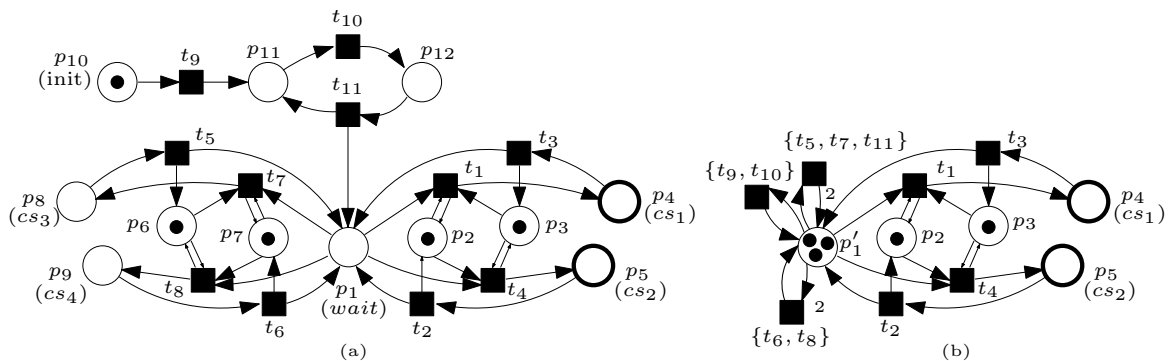


Figure 1. A Petri net with two distinct mutual exclusion properties (a) and its abstraction (b).

In this paper, we develop an automatic abstraction technique that attacks the dimensionality problem. To illustrate our method, let us consider the Petri net of Fig. 1(a). This Petri net describes abstractly a system that spawns an arbitrary number of processes running in parallel. There are two independent critical sections in the system that correspond to places p_4, p_5 and to places p_8, p_9 . One may be interested in proving that mutual exclusion is ensured between p_4 and p_5 . That mutual exclusion property is local to a small part of the net, and it is intuitively clear that the places $p_6, p_7, p_8, p_9, p_{10}, p_{11}, p_{12}$ are irrelevant to prove mutual exclusion between p_4 and p_5 . Hence, the property can be proved with an abstraction of the Petri net as shown in Fig. 1(b) where the places $\{p_1, p_6, p_7, p_8, p_9, p_{10}, p_{11}, p_{12}\}$ are not distinguished and merged into a single place p'_1 . However, the current methods for solving coverability, when given the Petri net of Fig. 1(a) will consider the entire net and manipulate subsets of \mathbb{N}^{12} . Our method will automatically consider sets of lower dimensionality: in this case subsets of \mathbb{N}^5 .

Our algorithm is based on two main ingredients: abstract interpretation and automatic refinement. Abstract interpretation [9] is a well-established technique to define, in a systematic way, abstractions of semantics. In our case, we will use the notion of Galois insertion to relate formally subsets in \mathbb{N}^k with their abstract representation in $\mathbb{N}^{k'}$ with $k' < k$. This Galois insertion allows us to systematically design an abstract semantics that leads to efficient semi-algorithms to solve the coverability problem by manipulating *lower dimensional sets*. We will actually show that the original coverability problem reduces to a coverability problem of lower dimensionality and so our algorithm can reuse efficient implementations for the forward and backward analysis of those abstractions. When the abstract interpretation is inconclusive, because it is not precise enough, our algorithm automatically refines the abstract domain. This refinement ensures that the next analysis will be more precise and that the abstract analysis will eventually be precise enough to decide the problem. The abstraction technique that we consider here uses all the information that has been computed by previous steps and is quite different from the technique known as *counterexample guided abstraction refinement* [7].

We have implemented our automatic abstraction technique and we have evaluated our new algorithm on several interesting examples of infinite state Petri nets taken from the literature. It turns out that our technique finds low dimensional systems that are sufficiently precise abstractions to establish the correctness of complex systems. We also have run our algorithm on finite state models of well-known mutual exclusion protocols. On those, the reduction in dimension is less spectacular but our algorithm still finds simplifications that would be very hard to find by hand.

To the best of our knowledge, this work is the first that tries to automatically abstract Petri nets by lowering their dimensionality and which provide an automatic refinement when the analysis is not

Address for correspondence: Département d'Informatique, Université Libre de Bruxelles (U.L.B.)

*This research was supported the Belgian FNRS grant 2.4530.02 of the FRFC project "Centre Fédéré en Vérification" and by the project "MoVES", an Interuniversity Attraction Poles Programme of the Belgian Federal Government.

†Laurent Van Begin is "Chargé de recherche" at FNRS, Belgium.

conclusive. In [4], the authors provide syntactical criterion to simplify Petri nets while our technique is based on semantics. Our technique provides automatically much coarser abstractions than the one we could obtain by applying rules in [4].

2. Preliminaries and Outline

We start this section by recalling Petri nets, their semantics and the coverability problem. Then, we recall the main properties of existing algorithms to solve this coverability problem. We end the section by giving an outline of our new algorithm.

2.1. Petri nets and their (concrete) semantics

In the rest of the paper our model of computation is given by the Petri net formalism. Given a set S we denote by $|S|$ its cardinality.

Definition 2.1. (Petri nets)

A Petri net N is given by a tuple (P, T, F, m_0) where:

- P and T are finite disjoint sets of *places* and *transitions* respectively,
- $F = (\mathcal{I}, \mathcal{O})$ are two mappings: $\mathcal{I}, \mathcal{O}: P \times T \mapsto \mathbb{N}$ describing the relationship between places and transitions. Once a linear order has been fixed on P and T , \mathcal{I} and \mathcal{O} can be seen as $(|P|, |T|)$ -matrices over \mathbb{N} ($\mathbb{N}^{|P| \times |T|}$ for short). Let $t \in T$, $\mathcal{I}(t)$ denote the t -column vector in $\mathbb{N}^{|P|}$ of \mathcal{I} .
- m_0 is the *initial marking*. A *marking* $m \in \mathbb{N}^{|P|}$ is a column vector giving a number $m(p)$ of tokens for each place $p \in P$.

Throughout the paper we will use the letter k to denote $|P|$, i.e. the *dimensionality* of the net. We introduce the partial order $\leq \subseteq \mathbb{N}^k \times \mathbb{N}^k$ such that for all $m, m' \in \mathbb{N}^k$: $m \leq m'$ iff $m(i) \leq m'(i)$ for all $i \in [1..k]$ (where $[1..k]$ denotes the set $\{1, \dots, k\}$). It turns out that \leq is a well-quasi order (wqo for short) on \mathbb{N}^k meaning that for any infinite sequence of markings $m_1, m_2, \dots, m_i, \dots$ there exists indices $i < j$ such that $m_i \leq m_j$. We also use $m \not\leq m'$ to denote that $m \leq m' \wedge m \neq m'$.

Definition 2.2. (Firing Rules of Petri net)

Given a Petri net $N = (P, T, F, m_0)$ and a marking $m \in \mathbb{N}^k$ we say that the transition t is *enabled* at m , written $m(t)$, iff $\mathcal{I}(t) \leq m$. If t is enabled at m then the *firing* of t at m leads to a marking m' , written $m(t)m'$, such that $m' = m - \mathcal{I}(t) + \mathcal{O}(t)$.

Given a Petri net we are interested in the set of markings it can reach. To formalize the set of reachable markings and variants of the reachability problem, we use the following lattice and the following operations on sets of markings.

Definition 2.3. Let $k \in \mathbb{N}$, the powerset lattice associated to \mathbb{N}^k is the complete lattice $(\wp(\mathbb{N}^k), \subseteq, \cup, \cap, \emptyset, \mathbb{N}^k)$ having the powerset of \mathbb{N}^k as a carrier, union and intersection as least upper bound and greatest lower bound operations, respectively and the empty set and \mathbb{N}^k as the \subseteq -minimal and \subseteq -maximal elements, respectively.

We use Church's lambda notation (so that F is $\lambda X. F(X)$) and use the composition operator \circ on functions given by $(f \circ g)(x) = f(g(x))$. Also we define $f^{i+1} = f^i \circ f$ and $f^0 = \lambda x. x$. Sometimes we also use logical formulas. Given a logical formula ψ we write $\llbracket \psi \rrbracket$ for the set of its satisfying valuations.

Definition 2.4. (The predicate transformers pre , \widetilde{pre} , and $post$)

Let N a Petri net given by (P, T, F, m_0) and let $t \in T$, we define $pre_N[t], \widetilde{pre}_N[t], post_N[t]: \wp(\mathbb{N}^k) \mapsto \wp(\mathbb{N}^k)$ as follows,

$$\begin{aligned} pre_N[t] &\stackrel{\text{def}}{=} \lambda X. \{m \in \mathbb{N}^k \mid \exists m' : m' \in X \wedge m(t)m'\} \\ \widetilde{pre}_N[t] &\stackrel{\text{def}}{=} \lambda X. \{m \in \mathbb{N}^k \mid \mathcal{I}(t) \not\leq m \vee m \in pre_N[t](X)\} \\ post_N[t] &\stackrel{\text{def}}{=} \lambda X. \{m \in \mathbb{N}^k \mid \exists m' : m' \in X \wedge m'(t)m\} . \end{aligned}$$

The extension to the set $T' \subseteq T$ of transitions is given by,

$$f_N = \begin{cases} \lambda X. \bigcup_{t \in T'} f_N[t](X) & \text{if } f_N \text{ is } pre_N[T'] \text{ or } post_N[T'] \\ \lambda X. \bigcap_{t \in T'} f_N[t](X) & \text{for } f_N = \widetilde{pre}_N[T'] . \end{cases}$$

To simplify notations, we use pre_N, \widetilde{pre}_N and $post_N$ instead of $pre_N[T], \widetilde{pre}_N[T]$ and $post_N[T]$.

In the sequel when the Petri net N is clear from the context we omit to mention N as a subscript. Finally we recall a well-known result which is proved for instance in [8]: for any $X, Y \subseteq \mathbb{N}^k$ we have

$$post(X) \subseteq Y \Leftrightarrow X \subseteq \widetilde{pre}(Y) . \quad (\text{Gc})$$

All those predicate transformers are monotone functions over the complete lattice $(\wp(\mathbb{N}^k), \subseteq, \cup, \cap, \emptyset, \mathbb{N}^k)$ so they can be used as building blocks to define fixpoints expressions.

In $\wp(\mathbb{N}^k)$, *upward-closed* and *downward-closed* sets are particularly interesting and are defined as follows. We define the operator \downarrow (resp. \uparrow) as $\lambda X. \{x' \in \mathbb{N}^k \mid \exists x : x \in X \wedge x' \leq x\}$ (resp. $\lambda X. \{x' \in \mathbb{N}^k \mid \exists x : x \in X \wedge x \leq x'\}$). A set S is \leq -downward closed (\leq -dc-set for short), respectively \leq -upward closed (\leq -uc-set for short), iff $\downarrow S = S$, respectively $\uparrow S = S$. We define $DCS(\mathbb{N}^k)$ ($UCS(\mathbb{N}^k)$) to be the set of all \leq -dc-sets (\leq -uc-sets). Those closed sets have natural effective representations that are based on the fact that \leq is a wqo. A set $M \subseteq \mathbb{N}^k$ is said to be *canonical* if for any distinct $x, y \in \mathbb{N}^k$ we have $x \not\leq y$. We say that M is a *minor set* of $S \subseteq \mathbb{N}^k$, if $M \subseteq S$ and $\forall s \in S \exists m \in M : m \leq s$.

Lemma 2.1. ([11])

Given $S \subseteq \mathbb{N}^k$, S has exactly one finite canonical minor set.

So, any \leq -uc-set can be represented by its finite set of minimal elements. Since any \leq -dc-set is the complement of a \leq -upward-closed, it has an effective representation. Sets of omega-markings is an equivalent alternative representation [21].

We now formally state the coverability problem for Petri nets which corresponds to a fixpoint checking problem. Our formulation follows [8].

Problem 1. Given a Petri net N and a \leq -dc-set S , we want to check if the inclusion holds:

$$lfp \lambda X. \{m_0\} \cup post(X) \subseteq S \quad (1)$$

which, by [8, Thm. 4], is equivalent to

$$\{m_0\} \subseteq gfp \lambda X. S \cap \widetilde{pre}(X) . \quad (2)$$

We write $post^*(m_0)$ and $\widetilde{pre}^*(S)$ to be the fixpoints of relations (1) and (2), respectively. They are called the *forward semantics* and the *backward semantics* of the net. They respectively denote the set

of *reachable markings* and the set of *markings stuck in S* (or stated otherwise the *markings that cannot escape from the set S of markings*). So, with this view in mind, we find that the fixpoint checking problem asks, given a Petri Net N and a set S of markings, whether the reachable markings are included in S or equivalently if the initial marking m_0 belongs to the set of markings that cannot escape from S .

Note also that since S is a \leq -dc-set, $post^*(m_0) \subseteq S$ if and only if $\downarrow(post^*(m_0)) \subseteq S$.

2.2. Existing algorithms

The solutions to Problem 1 found in the literature (see [15, 17]) iteratively compute finer overapproximations of $\downarrow(post^*(m_0))$. All these solutions have in input an effective representation for (1) the initial marking m_0 , (2) the predicate transformer $post_N$ associated to the Petri net N and (3) the \leq -dc-set S . They end up with an overapproximation \mathcal{R} satisfying the following properties:

$$post_N^*(m_0) \subseteq \mathcal{R} \tag{A1}$$

$$\mathcal{R} \in DCS(\mathbb{N}^k) \tag{A2}$$

$$post_N(\mathcal{R}) \subseteq \mathcal{R} \tag{A3}$$

$$post_N^*(m_0) \subseteq S \rightarrow \mathcal{R} \subseteq S \tag{A4}$$

The solutions of [15, 17] actually solve Problem 1 for the entire class of well-structured transition systems (WSTS for short) which includes Petri nets and many other interesting infinite state models. In [21, 18] the authors show that $\downarrow(post^*(m_0))$ is computable for Petri nets and thus the approximation scheme presented above also encompasses these solutions.

In the literature, see for example [1], there are also solutions which compute the set $\widetilde{pre}^*(S)$ by evaluating its associated fixpoint (see (2)). Since [1], this fixpoint is known to be computable for WSTS and thus also for Petri net.¹

All these algorithms for Petri nets suffer from the explosion caused by the high dimensionality of the state spaces of practical examples. In this paper, we develop an analysis that reduces the dimensionality of state spaces that are explored during verification.

2.3. Overview of our approach

In order to mitigate the dimensionality problem, we adopt the following strategy. First, we define a parametric abstract domain where subsets of \mathbb{N}^k are abstracted by subsets of $\mathbb{N}^{k'}$ where $k' < k$ (k' being a parameter). More precisely, when each dimension in the concrete domain records the number of tokens contained in each place of the Petri net, in the abstract domain, each dimension records the sum of the number of tokens contained into a set of places. Using this abstract domain, we define abstract forward and abstract backward semantics, and define efficient algorithms to compute them. In those semantics, sets of markings are represented by subsets of $\mathbb{N}^{k'}$. If the abstract semantics is not conclusive, it is refined automatically using a refinement procedure that is guided by the inconclusive abstract semantics. During the refinement steps, we identify important concrete sets and refine the current abstract domain to allow the exact representation of those sets.

The rest of our paper formalizes those ideas and is organized as follows. In Sect. 3, we define our parametric abstract domain and we specify the abstract semantics. We also show how the precision of different domains of the family can be related. In the section, we also establish the existence of the coarsest abstract domain able to represent a given set M of markings. This result is important for the automatic refinement. In Sect. 4, we define an efficient way to overapproximate the abstract semantics defined in Sect. 3. In Sect. 5, we put all those results together to obtain our algorithm that decides coverability by successive approximations and refinements. Section 5 is also devoted to establish the

¹The fixpoint expression considered in [1] is actually different from (2) but coincides with its complement. This is a consequence of the Park's theorem [24].

correctness of our algorithm. Section 6 identifies the bottlenecks of the algorithm and proposal several improvements which are validated by the experimental results which are given in Sect. 7.

3. Abstraction of Sets of Markings

3.1. Partitions

At the basis of our abstraction technique are the *partitions* (of the set of places).

Definition 3.1. Let A be a partition of the set $[1..k]$ into k_A classes $\{C_i\}_{i \in [1..k_A]}$. We define the order \preceq over partitions as follows: $A \preceq A'$ iff $\forall C \in A \exists C' \in A' : C \subseteq C'$. It is well known, see [5], that the set of partitions of $[1..k]$ together with \preceq form a complete lattice where $\{\{1\}, \dots, \{k\}\}$ is the \preceq -minimal element, $\{\{1, \dots, k\}\}$ is the \preceq -maximal element and the greatest lower bound of two partitions A_1 and A_2 , noted $A_1 \wedge A_2$, is the partition given by $\{C \mid \exists C_1 \in A_1 \exists C_2 \in A_2 : C = C_1 \cap C_2 \text{ and } C \neq \emptyset\}$. The least upper bound of two partitions A_1 and A_2 , noted $A_1 \vee A_2$, is the finest partition such that given $C \in A_1 \cup A_2$ and $\{a_1, a_2\} \subseteq C$ we have $\exists C' \in A_1 \vee A_2 : \{a_1, a_2\} \subseteq C'$.

Partitions will be used to abstract sets of markings by lowering their dimensionality. Given a marking m (viz. a k -uple) and a partition A of $[1..k]$ into k_A classes we abstract m into a k_A -uple m_A by taking the sum of all the coordinates of each class. A simple way to apply the abstraction on a marking m is done by computing the product of a matrix A with the vector of m (noted $A \cdot m$). So we introduce a matrix based definition for partitions.

Definition 3.2. Let A be a partition of $[1..k]$ given by $\{C_i\}_{i \in [1..k_A]}$. We associate to this partition a matrix $A := (a_{ij})_{k_A \times k}$ such that $a_{ij} = 1$ if $j \in C_i$, $a_{ij} = 0$ otherwise. So, $A \in \{0, 1\}^{k_A \times k}$. We write $\mathcal{A}^{k_A \times k}$ to denote the set of matrices associated to the partitions of $[1..k]$ into k_A classes. Given a matrix A , we sometimes use k_A to denote the number of rows in A .

From the above definition, we deduce that two distinct partitions A_1 and A_2 leads to two different matrices. We also find that a matrix A matches a unique partition. Also note that, since in the matrix based representation a linear order is given on the rows, permuting rows does not modify the associated partition. Hence, whenever a partition A has several classes, several matrices matches A . However if a linear order is fixed on the classes of the partitions then the associated matrix is unique. Henceforth we assume that each partition is provided with a linear order on its classes so that we can identify a partition with its unique associated matrix.

3.2. Abstract Semantics

We are now equipped to define an abstraction technique for sets of markings. Then we focus on the abstraction of the predicate transformers involved in the fixpoints of (1) and (2).

Definition 3.3. Let $A \in \mathcal{A}^{k_A \times k}$, we define the abstraction function $\alpha_A : \wp(\mathbb{N}^k) \mapsto \wp(\mathbb{N}^{k_A})$ and the concretization function $\gamma_A : \wp(\mathbb{N}^{k_A}) \mapsto \wp(\mathbb{N}^k)$ respectively as follows

$$\alpha_A \stackrel{\text{def}}{=} \lambda X. \{A \cdot x \mid x \in X\} \quad \gamma_A \stackrel{\text{def}}{=} \lambda X. \{x \mid A \cdot x \in X\} .$$

In the following, $\gamma_A(S)$ with $S \subseteq \wp(\mathbb{N}^{k_A})$ denotes the set $\{s \mid \exists s' \in S : s = \gamma_A(s')\}$. Furthermore, if A is clear from the context, we will write α (resp. γ) instead of α_A (resp. γ_A). Given the posets $\langle L, \leq \rangle$ and $\langle M, \sqsubseteq \rangle$ and the maps $\alpha \in L \mapsto M$, $\gamma \in M \mapsto L$, we write $\langle L, \leq \rangle \xleftrightarrow[\alpha]{\gamma} \langle M, \sqsubseteq \rangle$ if they form a Galois insertion [9], that is $\forall x \in L, \forall y \in M : \alpha(x) \sqsubseteq y \Leftrightarrow x \leq \gamma(y)$ and $\alpha \circ \gamma = \lambda x. x$.

Proposition 3.1. Let $A \in \mathcal{A}^{k_A \times k}$, we have $(\wp(\mathbb{N}^k), \subseteq) \xleftrightarrow[\alpha]{\gamma} (\wp(\mathbb{N}^{k_A}), \subseteq)$.

Proof:

Let $X \subseteq \mathbb{N}^k$ and $Y \subseteq \mathbb{N}^{k_A}$,

$$\begin{aligned} \alpha(X) \subseteq Y &\Leftrightarrow \{A \cdot x \mid x \in X\} \subseteq Y && \text{def. 3.3} \\ &\Leftrightarrow \forall x: x \in X \rightarrow A \cdot x \in Y \\ &\Leftrightarrow X \subseteq \{x \mid A \cdot x \in Y\} \\ &\Leftrightarrow X \subseteq \gamma(Y) && \text{def. 3.3} \end{aligned}$$

Now, we prove that $\alpha \circ \gamma = \lambda x. x$. Given $y \in Y$, we define $x \in \mathbb{N}^k$ such that for each class C_i of A we choose $j \in C_i$ and set $x(j) = y(i)$ and $x(k) = 0$ for $k \in C_i \setminus \{j\}$. It is routine to check that $A \cdot x = y$.

$$\begin{aligned} \alpha \circ \gamma(Y) &= \alpha(\{x \mid A \cdot x \in Y\}) \\ &= \{A \cdot x \mid A \cdot x \in Y\} && \text{def. 3.3} \\ &= Y && \text{by above} \end{aligned}$$

□

Given a Galois insertion, the theory of abstract interpretation [9] provides us with a theoretical framework to systematically derive approximate semantics. The concrete forward semantics of a Petri net N is given by $post_N^*(m_0)$. Since we have a Galois insertion, $post_N^*(m_0)$ has a unique best approximation in the abstract domain. This value is $\alpha(post_N^*(m_0))$.

Unfortunately, there is no general method to compute this approximation without computing $post_N^*(m_0)$ first. So instead of trying to compute this abstract value, we compute an overapproximation. Let \mathcal{F} be an overapproximation of $\alpha(post_N^*(m_0))$ and let \mathcal{B} be an overapproximation $\alpha(\widetilde{pre}_N^*(S))$. The following lemma shows the usefulness of such approximations.

Lemma 3.1. Given a Petri net N and a \leq -dc-set S we have

$$\begin{aligned} \gamma(\mathcal{F}) \subseteq S &\rightarrow post_N^*(m_0) \subseteq S \\ \{m_0\} \not\subseteq \gamma(\mathcal{B}) &\rightarrow post_N^*(m_0) \not\subseteq S \end{aligned}$$

Abstract interpretation [9] tells us that to compute an overapproximation of fixpoints of a concrete function f , what we can do is to define a function f^\sharp over the abstract domain which is such that f^\sharp is an *abstract counterpart* of f . Intuitively, it means that f^\sharp must approximate the function f . In [9] the authors show that, in the context of a Galois insertion, the most precise approximation of f is unique and coincides with $\alpha \circ f \circ \gamma$ which is called the *best abstract counterpart* of f so that each abstract counterpart f^\sharp of f is less precise than $\alpha \circ f \circ \gamma$.

So to approximate $\alpha(lfp f)$ (resp. $lfp f$) a solution is to compute $lfp f^\sharp$ (resp. $\gamma(lfp f^\sharp)$) where f^\sharp is an abstract counterpart of f . A similar reasoning holds for *gfp* expressions. As a possible instantiation for our context, we obtain the following:

$$\alpha(post_N^*(m_0)) \subseteq lfp \lambda X. \alpha(\{m_0\} \cup post(\gamma(X))) \quad \text{and} \quad \alpha(\widetilde{pre}_N^*(S)) \subseteq gfp \lambda X. \alpha(S \cap \widetilde{pre}(\gamma(X))) . \quad (3)$$

It is worth pointing that using properties of Galois insertions we deduce the following:

$$post_N^*(m_0) \subseteq \gamma(lfp \lambda X. \alpha(\{m_0\} \cup post(\gamma(X)))) \quad \text{and} \quad \widetilde{pre}_N^*(S) \subseteq \gamma(gfp \lambda X. \alpha(S \cap \widetilde{pre}(\gamma(X)))) . \quad (4)$$

Note that the specification $\alpha \circ f \circ \gamma$ of the best abstract counterpart of f naturally suggests to concretize the argument, then apply f and finally to abstract its result. In practice applying this methodology leads to inefficient algorithms. Indeed the explicit computation of γ is in general costly. In our settings it happens that given an effective representation of M the effective representation of the set $\gamma(M)$ could be exponentially larger. In fact, let A be a partition of $[1..k]$ given by $\{C_i\}_{i \in [1..k_A]}$ and let $\hat{m} \in \mathbb{N}^{k_A}$, we have $|\gamma(\hat{m})| = \prod_{i \in [1..k_A]} \binom{\hat{m}^{(i)} + |C_i| - 1}{|C_i| - 1}$. Section 4 is devoted to the definition of the abstract counterpart of predicate transformers (possibly the best one) without explicitly evaluating γ .

3.3. Refinement

As mentioned in Sect. 2, our algorithm is based on the abstraction refinement paradigm. In that context, if the current abstraction A_i is inconclusive we refine it into an abstraction A_{i+1} which overapproximates sets of markings and predicate transformers more precisely than A_i .

The first result states that the \preceq -minimal partition leads to no loss of information.

Lemma 3.2. Let A_\perp denote the partition $\{\{1\}, \dots, \{k\}\}$. We have $\gamma_{A_\perp}(\wp(\mathbb{N}^k)) = \wp(\mathbb{N}^k)$.

Proof:

Each class of the partition A_\perp is a singleton. Hence the associated matrix is the identity matrix (up to a permutation of the rows). It is routine to check that $\gamma_{A_\perp} \circ \alpha_{A_\perp} = \lambda x. x$. Hence the result follows. \square

The next lemma relates partitions and the precision of the abstract domains thereof.

Lemma 3.3. Let A_1, A_2 be two partitions of $[1..k]$ s.t. $A_2 \preceq A_1$, we have $\gamma_{A_1}(\wp(\mathbb{N}^{k_{A_1}})) \subseteq \gamma_{A_2}(\wp(\mathbb{N}^{k_{A_2}}))$

Proof:

By definition of γ_A , we have that $\gamma_A(X) = \bigcup_{m \in X} \gamma_A(\{m\})$. Hence, it is sufficient to prove that

$$\gamma_{A_1}(\{\{m\} \mid m \in \mathbb{N}^{k_{A_1}}\}) \subseteq \gamma_{A_2}(\{\{m\} \mid m \in \mathbb{N}^{k_{A_2}}\}) .$$

Also by the surjectivity of the abstract function (recall that $\alpha \circ \gamma = \lambda x. x$ holds by Galois insertion) it is sufficient to prove the following. Let $\hat{m} \in \mathbb{N}^k$, we denote by m and m' the markings $\alpha_{A_1}(\hat{m})$ and $\alpha_{A_2}(\hat{m})$, respectively; we show that $\gamma_{A_1}(m) \subseteq \gamma_{A_2}(m')$.

We conclude from $A_1 \preceq A_2$ that for each $C' \in A_2$ the set $\wp(C') \cap A_1$ is a partition of C' , hence that

$$\sum_{\substack{C \in \wp(C') \\ C \in A_1}} m(C) = m'(C') \tag{5}$$

by definition of m' , m . Then, we have

$$\begin{aligned}
& \{m_1 \in \mathbb{N}^k \mid \sum_{s' \in C'} m_1(s') = m'(C')\} \\
&= \{m_1 \in \mathbb{N}^k \mid \sum_{s' \in C'} m_1(s') = \sum_{\substack{C \in \wp(C') \\ C \in A_1}} m(C)\} && \text{by (5)} \\
&\supseteq \{m_1 \in \mathbb{N}^k \mid \bigwedge_{\substack{C \in \wp(C') \\ C \in A_1}} \sum_{s \in C} m_1(s) = m(C)\} && \left(\begin{array}{l} a = b \wedge \\ c = d \end{array} \right) \rightarrow \left(\begin{array}{l} a + c = \\ b + d \end{array} \right) \\
&= \bigcap_{\substack{C \in \wp(C') \\ C \in A_1}} \{m_1 \in \mathbb{N}^k \mid \sum_{s \in C} m_1(s) = m(C)\} && (6)
\end{aligned}$$

Finally,

$$\begin{aligned}
\gamma_{A_2}(\{m'\}) &= \bigcap_{C' \in A_2} \{m_1 \in \mathbb{N}^k \mid \sum_{s' \in C'} m_1(s') = m'(C')\} && \text{by def. of } \gamma_{A_2} \\
&\supseteq \bigcap_{C' \in A_2} \bigcap_{\substack{C \in \wp(C') \\ C \in A_1}} \{m_1 \in \mathbb{N}^k \mid \sum_{s \in C} m_1(s) = m(C)\} && \text{by (6)} \\
&= \bigcap_{C \in A_1} \{m_1 \in \mathbb{N}^k \mid \sum_{s \in C} m_1(s) = m(C)\} && A_1 \preceq A_2 \\
&= \gamma_{A_1}(\{m\}) && \text{def. of } \gamma_{A_1}
\end{aligned}$$

□

Corollary 3.1. Let A_1, A_2 be two partitions of $[1..k]$ and let $A = A_1 \wedge A_2$, we have

$$\gamma_{A_1}(\wp(\mathbb{N}^{k_{A_1}})) \cup \gamma_{A_2}(\wp(\mathbb{N}^{k_{A_2}})) \subseteq \gamma_A(\wp(\mathbb{N}^{k_A})) .$$

So by refining partitions, we refine abstractions. The following result tells us that if two partitions are able to represent exactly a set then their *join* is also able to represent that set.

Lemma 3.4. Let A_1, A_2 be two partitions of $[1..k]$ and let $A = A_1 \vee A_2$. For all $M \subseteq \mathbb{N}^k$ we have

$$\text{if } \left\{ \begin{array}{l} \gamma_{A_1} \circ \alpha_{A_1}(M) = M \\ \gamma_{A_2} \circ \alpha_{A_2}(M) = M \end{array} \right\} \text{ then } \gamma_A \circ \alpha_A(M) = M . \quad (7)$$

Proof:

We first observe that by property of Galois insertion we have that $\gamma'_A \circ \alpha'_A(M) \supseteq M$ for each partition A' and each set of markings M . We thus concentrate on the reverse inclusion property. Given an abstraction A , we define $\mu_A = \gamma_A \circ \alpha_A$. Let $m \in M$ and $m' \in \mu_A(\{m\})$. We will show that there exists a finite sequence $\mu_{A_{i_1}}, \mu_{A_{i_2}}, \dots, \mu_{A_{i_n}}$ such that $m' \in \mu_{A_{i_1}} \circ \mu_{A_{i_2}} \circ \dots \circ \mu_{A_{i_n}}(\{m\})$ and $\forall j \in [1..n]: i_j \in [1..2]$. Then we will conclude that $m' \in M$ by the left hand side of (7).

It is well known that given a set S , the set of partitions of S coincides with the set of equivalence classes in S . So we denote by \equiv_A the equivalence relation defined by the partition A .

We thus get $m' \in \mu_A(\{m\})$ iff m' may be obtained from m by moving tokens inside the equivalence classes of \equiv_A . More precisely, let $v \in \mathbb{N}$, and a, b two distinct elements of $[1..k]$ such that $\langle a, b \rangle \in \equiv_A$ and two markings $m_1, m_2 \in \mathbb{N}^k$ such that

$$m_2(q) = \begin{cases} m_1(q) + v & \text{if } q = a \\ m_1(q) - v & \text{if } q = b \\ m_1(q) & \text{otherwise.} \end{cases}$$

Intuitively the marking m_2 is obtained from m_1 by moving v tokens from b into a . So, since on one hand b and a belong to the same equivalence class and, on the other hand m_2 and m_1 contain an equal number of tokens we find that $m_2 \in \mu_A(\{m_1\})$.

Now, we use the result of [5, Thm. 4.6] over the equivalence classes of a set. The theorem states that $\langle a, b \rangle \in \equiv_A$ iff there is a sequence of elements $c_1, \dots, c_{n'}$ of $[1..k]$ such that

$$\langle c_i, c_{i+1} \rangle \in \equiv_{A_1} \quad \text{or} \quad \langle c_i, c_{i+1} \rangle \in \equiv_{A_2} \quad (8)$$

for $i \in [1..n-1]$ and $a = c_1, b = c_{n'}$. From $c_1, \dots, c_{n'}$ we define a sequence of n' moves whose global effect is to move v tokens from b into a . So given m_1 , the marking obtained by applying this sequence of n' moves is m_2 . Moreover, by Eq. (8) we have that each move of the sequence is defined inside an equivalence class of \equiv_{A_1} or \equiv_{A_2} . Hence each move of the sequence can be done using operator μ_{A_1} or μ_{A_2} .

Repeated application of the above reasoning shows that m' is obtained by moving tokens of m where moves are given by operators μ_{A_1} and μ_{A_2} . Formally this finite sequence of moves $\mu_{A_{i_1}}, \mu_{A_{i_2}}, \dots, \mu_{A_{i_n}}$ is such that

$$\forall j \in [1..n]: i_j \in [1..2] \quad \text{and} \quad m' \in \mu_{A_{i_1}} \circ \mu_{A_{i_2}} \circ \dots \circ \mu_{A_{i_n}}(\{m\}) .$$

Finally, left hand side of (7) and monotonicity of μ_{A_1}, μ_{A_2} shows that $m' \in M$. \square

Corollary 3.2. Let A_1, A_2 be two partitions of $[1..k]$ and let $A = A_1 \vee A_2$, we have

$$\gamma_{A_1}(\wp(\mathbb{N}^{k_{A_1}})) \cap \gamma_{A_2}(\wp(\mathbb{N}^{k_{A_2}})) \subseteq \gamma_A(\wp(\mathbb{N}^{k_A})) .$$

Proposition 3.2. Given $k \in \mathbb{N}$ and $M \subseteq \mathbb{N}^k$, the coarsest partition of $[1..k]$ which represents exactly M exists and is given by $\bigvee \{A \mid \gamma_A \circ \alpha_A(M) = M\}$.

Proof:

From Lem. 3.2 there is at least one partition that represents exactly M . Moreover by Cor. 3.2 we deduce that $\bigvee \{A \mid \gamma_A \circ \alpha_A(M) = M\}$ is unique by definition of the lattice of partitions, represents exactly M and is the coarsest. \square

4. Efficient Abstract Semantics

In this section, we show how to compute a precise overapproximation of the abstract semantics efficiently without evaluating the concretization function γ . For that, we show that to each Petri net N of dimensionality k and any abstraction $A \in \mathcal{A}^{k_A \times k}$, we can associate a Petri net \hat{N} of dimensionality k_A whose concrete forward and backward semantics gives precise overapproximations of the abstraction by A of the semantics of N given by (3).

4.1. Abstract net

In order to efficiently evaluate the best approximation of $post_N[t]$ and $\widehat{pre}_N[t]$ for each $t \in T$, without explicitly evaluating γ , we associate for each N and A a Petri net \hat{N} .

Definition 4.1. Let N be a Petri net given by (P, T, F, m_0) and let $A \in \mathcal{A}^{k_A \times k}$. We define the tuple $(\hat{P}, \hat{T}, \hat{F}, \hat{m}_0)$ where

- \hat{P} is a set of k_A places (one for each class of the partition A),
- $\hat{F} = (\hat{\mathcal{I}}, \hat{\mathcal{O}})$ is such that $\hat{\mathcal{I}} \stackrel{\text{def}}{=} A \cdot \mathcal{I}$ and $\hat{\mathcal{O}} \stackrel{\text{def}}{=} A \cdot \mathcal{O}$,
- \hat{m}_0 is given by $A \cdot m_0$.

The tuple is a Petri net since $\hat{m}_0 \in \mathbb{N}^{|\hat{P}|}$, and $\hat{\mathcal{I}}, \hat{\mathcal{O}} \in \mathbb{N}^{(|\hat{P}|, |T|)}$. We denote by \hat{N} this Petri net.

To establish properties of the semantics of this abstract net (given in Prop. 4.1 and Prop. 4.2 below), we need the technical following results:

Lemma 4.1. Let $A \in \mathcal{A}^{k_A \times k}$ and $X, Y \subseteq \mathbb{N}^k$,

$$\begin{aligned} \gamma \circ \downarrow(X) &= \downarrow \circ \gamma(X), \gamma \circ \uparrow(X) = \uparrow \circ \gamma(X) \\ \alpha \circ \downarrow(X) &= \downarrow \circ \alpha(X), \alpha \circ \uparrow(X) = \uparrow \circ \alpha(X) \\ \forall m_1, m_2 \in \mathbb{N}^{k_A}: m_1 \not\leq m_2 &\text{ implies } \alpha(m_1) \not\leq \alpha(m_2) && \text{(strict monotonicity)} \\ \forall m_3 \in \gamma(m_1) \exists m_4 \in \gamma(m_2): m_4 \not\leq m_3 && \text{for each } m_1, m_2 \in \mathbb{N}^{k_A} \text{ such that } m_1 \not\leq m_2 \\ \gamma(\neg X) &= \neg \circ \gamma(X) \\ \alpha(\neg X) &= \neg \circ \alpha(X) && \text{provided } \gamma \circ \alpha(X) = X \\ \alpha(Y \cap X) &= \alpha(Y) \cap \alpha(X) && \text{provided } \gamma \circ \alpha(X) = X \end{aligned}$$

In the sequel we use the property that the abstraction function α is *additive* (i.e. $\alpha(A \cup B) = \alpha(A) \cup \alpha(B)$) and that γ is *co-additive* (i.e. $\gamma(A \cap B) = \gamma(A) \cap \gamma(B)$).

4.2. Forward overapproximation

The next proposition states that the best abstract counterpart of the predicate transformer $post_N$ is given by the predicate transformer $post_{\hat{N}}$ of the abstract net.

Proposition 4.1. Given a Petri net $N = (P, T, F, m_0)$, $A \in \mathcal{A}^{k_A \times k}$ and \hat{N} the Petri net given by def. 4.1, we have that

$$\lambda X. \alpha \circ post_N \circ \gamma(X) = \lambda X. post_{\hat{N}}(X) .$$

Proof:

Definition 2.4 states that $post_N = \lambda X. \bigcup_{t \in T} post_N[t](X)$. Thus, for $t \in T$, we show that $\alpha \circ post_N[t] \circ \gamma = post_{\hat{N}}[t]$. Then the additivity of α shows the desired result.

For each $t \in T$, for each $\hat{m} \in \mathbb{N}^{k_A}$,

$$\begin{aligned}
& \alpha \circ \text{post}_N[t] \circ \gamma(\hat{m}) \\
&= \alpha \circ \text{post}_N[t](\{m \mid m \in \gamma(\hat{m})\}) \\
&= \alpha(\{m - \mathcal{I}(t) + \mathcal{O}(t) \mid m \in \gamma(\hat{m}) \wedge \mathcal{I}(t) \leq m\}) && \text{def. 2.2} \\
&= \{A \cdot (m - \mathcal{I}(t) + \mathcal{O}(t)) \mid m \in \gamma(\hat{m}) \wedge \mathcal{I}(t) \leq m\} && \text{def. 3.3} \\
&= \{A \cdot m - A \cdot \mathcal{I}(t) + A \cdot \mathcal{O}(t) \mid m \in \gamma(\hat{m}) \wedge \mathcal{I}(t) \leq m\} \\
&= \{\alpha(m) - A \cdot \mathcal{I}(t) + A \cdot \mathcal{O}(t) \mid m \in \gamma(\hat{m}) \wedge \mathcal{I}(t) \leq m\} && \text{def. of } \alpha \\
&= \{\hat{m} - A \cdot \mathcal{I}(t) + A \cdot \mathcal{O}(t) \mid m \in \gamma(\hat{m}) \wedge \mathcal{I}(t) \leq m\} && \xleftrightarrow[\alpha]{\gamma} \\
&= \{\hat{m} - \hat{\mathcal{I}}(t) + \hat{\mathcal{O}}(t) \mid m \in \gamma(\hat{m}) \wedge \mathcal{I}(t) \leq m\} && \text{def. 4.1} \\
&= \{\hat{m} - \hat{\mathcal{I}}(t) + \hat{\mathcal{O}}(t) \mid \{\mathcal{I}(t)\} \subseteq \downarrow \circ \gamma(\hat{m})\} && \text{def. of } \downarrow \\
&= \{\hat{m} - \hat{\mathcal{I}}(t) + \hat{\mathcal{O}}(t) \mid \{\mathcal{I}(t)\} \subseteq \gamma \circ \downarrow(\hat{m})\} && \text{Lem. 4.1} \\
&= \{\hat{m} - \hat{\mathcal{I}}(t) + \hat{\mathcal{O}}(t) \mid \alpha(\{\mathcal{I}(t)\}) \subseteq \downarrow(\hat{m})\} && \xleftrightarrow[\alpha]{\gamma} \\
&= \{\hat{m} - \hat{\mathcal{I}}(t) + \hat{\mathcal{O}}(t) \mid \hat{\mathcal{I}}(t) \leq \hat{m}\} && \text{def. 4.1} \\
&= \text{post}_{\hat{N}}[t](\hat{m}) && \text{def. 2.2}
\end{aligned}$$

□

The consequences of Prop 4.1 are twofold. First, it gives a way to compute $\alpha \circ \text{post}_N \circ \gamma$ without computing explicitly γ and second since $\text{post}_{\hat{N}} = \alpha \circ \text{post}_N \circ \gamma$ and \hat{N} is a Petri net we can use any state of the art tool to check whether $\text{post}_{\hat{N}}^*(\hat{m}_0) \subseteq \alpha(S)$ and conclude, provided $\gamma \circ \alpha(S) = S$, that $\gamma(\text{post}_{\hat{N}}^*(\hat{m}_0)) \subseteq S$, hence that $\text{post}_N^*(m_0) \subseteq S$ by Lem. 3.1.

4.3. Backward overapproximation

Below we show that given a Petri Net $N = (P, T, F, m_0)$ the best abstract counterpart of the predicate transformer $\widetilde{\text{pre}}_N[t]$ (for $t \in T$) can be computed using $\widetilde{\text{pre}}_{\hat{N}}[t]$ where \hat{N} is given as in def. 4.1. However, as we will see this result does not extend to $\widetilde{\text{pre}}_N[T]$. To obtain those results, we need some intermediary lemmas (i.e. Lem. 4.2, 4.3 and 4.4).

Lemma 4.2. Given a Petri net $N = (P, T, F, m_0)$ and $A \in \mathcal{A}^{k_A \times k}$ we have

$$\lambda X. \alpha \circ \text{pre}_N \circ \gamma(X) = \lambda X. \text{pre}_{\hat{N}}(X) .$$

Proof:

The proof is similar to the proof of Prop. 4.1 with \mathcal{O} (resp. $\hat{\mathcal{O}}$) replaced by \mathcal{I} (resp. $\hat{\mathcal{I}}$) and vice versa. □

Lemma 4.3. Given a Petri net $N = (P, T, F, m_0)$ and a partition $A = \{C_j\}_{j \in [1..k_A]}$ of $[1..k]$, if $\exists i \in [1..k]: \mathcal{I}(i, t) > 0$ and $\{i\} \notin A$ then $\alpha(\{m \in \mathbb{N}^k \mid \mathcal{I}(t) \not\leq m\}) = \mathbb{N}^{k_A}$.

Proof:

Besides the hypothesis assume $i \in C_j$ and consider $l \in [1..k]$ such that $l \in C_j$ and $l \neq i$. The set $\{m \in \mathbb{N}^k \mid \mathcal{I}(t) \not\leq m\}$ is a \leq -dc-set given by the following formula:

$$\bigvee_{\substack{p \in [1..k] \\ \mathcal{I}(p, t) > 0}} x_p < \mathcal{I}(p, t).$$

We conclude from $i \in [1..k]$ and $\mathcal{I}(i, t) > 0$ that $\llbracket x_i < \mathcal{I}(i, t) \rrbracket = \{ \langle v_1, \dots, v_i, \dots, v_k \rangle \mid v_i < \mathcal{I}(i, t) \}$, hence that $\alpha(\llbracket x_i < \mathcal{I}(i, t) \rrbracket) = \mathbb{N}^{k_A}$ by $\{i, l\} \subseteq C_j \in A$, and finally that $\alpha(\llbracket x_i < \mathcal{I}(i, t) \rrbracket) \subseteq \alpha(\llbracket \bigvee_{\substack{p \in [1..k] \\ \mathcal{I}(p, t) > 0}} x_p < \mathcal{I}(p, t) \rrbracket)$ by additivity of α . It follows that $\alpha(\{m \in \mathbb{N}^k \mid \mathcal{I}(t) \not\leq m\}) = \alpha(\llbracket \bigvee_{\substack{p \in [1..k] \\ \mathcal{I}(p, t) > 0}} x_p < \mathcal{I}(p, t) \rrbracket) = \mathbb{N}^{k_A}$. \square

Lemma 4.4. Given a Petri net $N = (P, T, F, m_0)$, a partition $A = \{C_j\}_{j \in [1..k_A]}$ of $[1..k]$ and \hat{N} the Petri net given by def. 4.1, if for each $i \in [1..k]$: $\mathcal{I}(i, t) > 0$ implies $\{i\} \in A$, then $\alpha(\{m \in \mathbb{N}^k \mid \mathcal{I}(t) \not\leq m\}) = \{m \in \mathbb{N}^{k_A} \mid \hat{\mathcal{I}}(t) \not\leq m\}$.

Proof:

$$\begin{aligned}
& \alpha(\{m \in \mathbb{N}^k \mid \mathcal{I}(t) \not\leq m\}) \\
&= \{A \cdot m \mid m \in \mathbb{N}^k \wedge \mathcal{I}(t) \not\leq m\} && \text{def. of } \alpha \\
&= \{A \cdot m \mid m \in \mathbb{N}^k \wedge A \cdot \mathcal{I}(t) \not\leq A \cdot m\} && \text{if } \mathcal{I}(i, t) > 0 \text{ then } \{i\} \in A \text{ for each } i \in [1..k] \\
&= \{A \cdot m \mid m \in \mathbb{N}^k \wedge \hat{\mathcal{I}}(t) \not\leq A \cdot m\} && \text{def. of } \hat{\mathcal{I}} \\
&= \{\hat{m} \in \mathbb{N}^{k_A} \mid \exists m \in \mathbb{N}^k: \hat{m} = A \cdot m \wedge \hat{\mathcal{I}}(t) \not\leq \hat{m}\} \\
&= \{\hat{m} \in \mathbb{N}^{k_A} \mid \hat{\mathcal{I}}(t) \not\leq \hat{m}\} && \text{tautology}
\end{aligned}$$

\square

We are now ready to state and prove that $\widetilde{pre}_{\hat{N}}[t]$ is the best approximation of $\widetilde{pre}_N[t]$.

Proposition 4.2. Given a Petri net $N = (P, T, F, m_0)$, a partition $A = \{C_j\}_{j \in [1..k_A]}$ of $[1..k]$ and \hat{N} the Petri net given by def. 4.1, we have

$$\lambda X. \alpha \circ \widetilde{pre}_N[t] \circ \gamma(X) = \begin{cases} \mathbb{N}^{k_A} & \text{if } \exists i \in [1..k_A]: |C_i| > 1 \wedge \hat{\mathcal{I}}(i, t) > 0 \\ \lambda X. \widetilde{pre}_{\hat{N}}[t](X) & \text{otherwise.} \end{cases}$$

Proof:

$$\begin{aligned}
& \alpha \circ \widetilde{pre}_N[t] \circ \gamma(S) \\
&= \alpha \circ \widetilde{pre}_N[t](\{m \in \mathbb{N}^k \mid m \in \gamma(S)\}) \\
&= \alpha(\{m \mid (\mathcal{I}(t) \not\leq m) \vee (\mathcal{I}(t) \leq m \wedge m - \mathcal{I}(t) + \mathcal{O}(t) \in \gamma(S))\}) && \text{def. of } \widetilde{pre}_N[t] \\
&= \alpha(\{m \mid \mathcal{I}(t) \not\leq m\}) \cup \alpha(\{m \mid \mathcal{I}(t) \leq m \wedge m - \mathcal{I}(t) + \mathcal{O}(t) \in \gamma(S)\}) && \text{additivity of } \alpha \\
&= \alpha(\{m \mid \mathcal{I}(t) \not\leq m\}) \cup \alpha \circ pre_N[t] \circ \gamma(S) && \text{def. of } pre_N[t] \\
&= \alpha(\{m \mid \mathcal{I}(t) \not\leq m\}) \cup pre_{\hat{N}}[t](S) && \text{by Lem. 4.2}
\end{aligned}$$

We now consider two cases:

- $\exists i \in [1..k]: \mathcal{I}(i, t) > 0$ and $\{i\} \notin A$. From Lem. 4.3, we conclude that $\alpha \circ \widetilde{pre}_N[t] \circ \gamma(S) = \mathbb{N}^{k_A}$;
- $\forall i \in [1..k]: \mathcal{I}(i, t) > 0$ implies $\{i\} \in A$. In this case we have

$$\begin{aligned}
\alpha \circ \widetilde{pre}_N[t] \circ \gamma(S) &= \{m \in \mathbb{N}^{k_A} \mid \hat{\mathcal{I}}(t) \not\leq m\} \cup pre_{\hat{N}}[t](S) && \text{by Lem. 4.4} \\
&= \widetilde{pre}_{\hat{N}}[t](S) && \text{def. of } \widetilde{pre}_{\hat{N}}[t]
\end{aligned}$$

□

Definition 4.2. Given a Petri Net $N = (P, T, F, m_0)$, a partition $A = \{C_j\}_{j \in [1..k_A]}$ of $[1..k]$ and $t \in T$ we denote by ϕ_t^A the following formula:

$$\exists i \in [1..k_A]: |C_i| > 1 \wedge \widehat{\mathcal{I}}(i, t) > 0 .$$

We also use T_A to denote the set of transitions $\{t \in T \mid \phi_t^A \text{ is true}\}$.

From the result of Prop. 4.2, let us see how to approximate $\widetilde{pre}_N^*(S)$ for $S \subseteq \mathbb{N}^k$ without evaluating γ explicitly. To this end we recall the result of (3) which is based on the best abstract counterpart of \widetilde{pre}_N and states that: $\alpha(\widetilde{pre}_N^*(S)) \subseteq \text{gfp}(\lambda X. \alpha(S \cap \widetilde{pre}_N \circ \gamma(X)))$. This latter fixpoint is in turn approximated as follows:

$$\begin{aligned} & \text{gfp} \lambda X. \alpha(S \cap \widetilde{pre}_N \circ \gamma(X)) \\ &= \text{gfp} \lambda X. \alpha(S) \cap \alpha \circ \widetilde{pre}_N \circ \gamma(X) && \text{Lem. 4.1 provided } \gamma \circ \alpha(S) = S^2 \\ &= \text{gfp} \lambda X. \alpha(S) \cap \alpha \circ \bigcap_{t \in T} \widetilde{pre}_N[t] \circ \gamma(X) && \text{def. of } \widetilde{pre}_N \\ &\subseteq \text{gfp} \lambda X. \alpha(S) \cap \bigcap_{t \in T} \alpha \circ \widetilde{pre}_N[t] \circ \gamma(X) && \alpha(A \cap B) \subseteq \alpha(A) \cap \alpha(B) \\ &= \text{gfp} \lambda X. \alpha(S) \cap \widetilde{pre}_{\widehat{N}}[T_A](X) && \text{Prop. 4.2, def. of } T_A \end{aligned}$$

Note that if $T_A = \emptyset$ does not hold then $\text{gfp} \lambda X. S \cap \widetilde{pre}_{\widehat{N}}[T_A](X)$ is defined to be S .

We see that this result for the backward semantics is weaker than what we obtained for the forward semantics. This difference stems from the fact that α is not *co-additive* (i.e. $\alpha(A \cap B) \neq \alpha(A) \cap \alpha(B)$).

5. The Algorithm

The algorithm we propose is given in Alg. 1. In that algorithm, we use the following notations: we α_i and γ_i instead of α_{A_i} and γ_{A_i} , and given a set $S \subseteq \mathbb{N}^k$, we denote by $\lceil S \rceil$ the partition of $[1..k]$ given by $(\bigvee \{A \mid \gamma_A \circ \alpha_A(S) = S\})$, i.e. the coarsest partition that allows to represent S . Given a Petri net N and a \leq -dc-set S , the algorithm builds abstract nets \widehat{N} with smaller dimensionality than N (line 4), analyses them (lines 5–10), and refines them (line 13) until it concludes. To analyse an abstraction \widehat{N} , the algorithm first uses a model-checker that answers the coverability problem for \widehat{N} and the \leq -dc-set $\alpha_i(S)$ using any algorithm proposed in [21, 17, 15]. Besides an answer those algorithms return an overapproximation of the fixpoint $\text{post}_{\widehat{N}}^*(\widehat{m}_0)$ that satisfies A1–4. If the model-checker returns a positive answer then, following the abstract interpretation theory, Alg. 1 concludes that $\text{post}_{\widehat{N}}^*(m_0) \subseteq S$ (line 6). Otherwise, Alg. 1 tries to decide if $\{m_0\} \not\subseteq \widetilde{pre}_N^*(S)$ checking the inclusion given by (2) (line 9–13). The fixpoint of (2) is computable by [1] but practically difficult to build for the net N and S . Hence, our algorithm only builds an overapproximation by evaluating the fixpoint on the abstract net \widehat{N} instead of N , i.e. we evaluate the fixpoint $\text{gfp} \lambda X. \alpha_i(S) \cap \widetilde{pre}_{\widehat{N}}[T_A](X)$ which overapproximates $\alpha(\text{gfp} \lambda X. S \cap \widetilde{pre}_N(X))$ by (3). Since the abstractions \widehat{N} have a smaller dimensionality than N , the greatest fixpoint can be evaluated more efficiently on \widehat{N} . Moreover, at the i th iteration of the algorithm (i) we restrict the fixpoint to the overapproximation \mathcal{R}_i of $\text{post}_{\widehat{N}}^*(\alpha_i(m_0))$ computed at line 5, and (ii) we consider $\alpha_i(Z_i)$ instead of $\alpha_i(S)$. Point (i) allows the algorithm to use the information given by the forward analysis of the model-checker, and point (ii) is motivated by the fact that at each step i we have $\text{gfp} \lambda X. \alpha_i(S) \cap \mathcal{R}_i \cap \widetilde{pre}_{\widehat{N}}[T_A](X) \subseteq \alpha_i(Z_i) \subseteq \alpha_i(S)$. That allows us consider $\alpha_i(Z_i)$ instead of $\alpha_i(S)$ without changing the fixpoint, leading to a more efficient computation of it (see [1] for more

²As we will see later, this hypothesis is going verified in the context of our algorithm.

Algorithm 1: Algorithm for the coverability problem, assume $\{m_0\} \subseteq S$

Data: A Petri net $N = (P, T, F, m_0)$, a \leq -dc-set S

- 1 $Z_0 = S$
- 2 $A_0 = \lceil Z_0 \rceil$
- 3 **for** $i = 0, 1, 2, 3, \dots$ **do**
- 4 **Abstract:** Given A_i , compute \hat{N} given by def. 4.1.
- 5 **Verify:** $(answer, \mathcal{R}_i) = \text{Checker}(\widehat{m}_0, \text{post}_{\hat{N}}^*, \alpha_i(Z_i))$
- 6 **if** $answer == OK$ **then**
- 7 **return** OK
- 8 **else**
- 9 Let $\mathcal{S}_i = \text{gfp} \lambda X. \alpha_i(Z_i) \cap \mathcal{R}_i \cap \widetilde{\text{pre}}_{\hat{N}}[T_{A_i}](X)$
- 10 **if** $\widehat{m}_0 \notin \mathcal{S}_i$ **then return** KO
- 11 **end**
- 12 Let $Z_{i+1} = \gamma_i(\mathcal{S}_i) \cap \widetilde{\text{pre}}_N(\gamma_i(\mathcal{S}_i))$
- 13 **Refine:** Let $A_{i+1} = A_i \wedge \lceil Z_{i+1} \rceil$
- 14 **end**

details). Those optimisations are safe in the sense that the fixpoint we evaluate at line 9 does not contain $\alpha_i(m_0)$ implies that $\text{post}_N^*(m_0) \not\subseteq S$, hence its usefulness to detect negative instances (line 10).

If the algorithm cannot conclude, it refines the abstraction. The main property of the refinement is that the sequences of Z'_i s computed at line 9 is strictly decreasing and converge in a finite number of steps to $\widetilde{\text{pre}}_N^*(S) \cap \mathcal{R}$ where \mathcal{R} is an inductive overapproximation of $\text{post}_N^*(m_0)$. Suppose that at step i , we have $Z_{i+1} = \widetilde{\text{pre}}_N^*(S) \cap \mathcal{R}$. Hence, $\gamma_{i+1} \circ \alpha_{i+1}(\widetilde{\text{pre}}_N^*(S) \cap \mathcal{R}) = \widetilde{\text{pre}}_N^*(S) \cap \mathcal{R}$. If $\text{post}_N^*(m_0) \subseteq S$ then $\text{post}_N^*(m_0) \subseteq \widetilde{\text{pre}}_N^*(S) \cap \mathcal{R}$ and the abstract interpretation theory guarantees that $\text{post}_{\hat{N}}^*(\alpha_{i+1}(m_0)) \subseteq \alpha_{i+1}(\widetilde{\text{pre}}_N^*(S) \cap \mathcal{R}) \subseteq \alpha_{i+1}(S)$, hence the model-checker will return the answer OK at iteration $i + 1$. Moreover, if $\text{post}_N^*(m_0) \not\subseteq S$ then $m_0 \notin \widetilde{\text{pre}}_N^*(S)$, hence $m_0 \notin \widetilde{\text{pre}}_N^*(S) \cap \mathcal{R}$, and the algorithm will return KO at step $i + 1$ because we have $Z_{i+1} = \widetilde{\text{pre}}_N^*(S) \cap \mathcal{R}$, hence $\widehat{m}_0 \notin \alpha_{i+1}(Z_{i+1})$ by monotonicity of α_{i+1} and Z_{i+1} does not include \widehat{m}_0 . Again, we do not evaluate the greatest fixpoint $\widetilde{\text{pre}}_N^*(S)$ because the dimensionality of N is too high and the evaluation is in general too costly in practice. Hence, we prefer to build overapproximations that can be computed more efficiently.

We now formally prove that our algorithm is sound, complete and terminates.

Lemma 5.1. In Alg. 1, at the i th iteration, we have $\gamma_i \circ \alpha_i(Z_i) = Z_i$.

Proof:

We prove, by induction on i , that $Z_i \in \gamma_i(A_i)$, hence that there exists $a \in A_i$ such that $\gamma_i(a) = Z_i$, and finally that $\gamma_i \circ \alpha_i(Z_i) = Z_i$ by property of Galois insertion. For the base case, line 1 ($Z_0 = S$) and assumption $S \in \gamma_0(A_0)$ show that $Z_0 \in \gamma_0(A_0)$. The inductive case follows immediately by line 13. \square

Lemma 5.2. In Alg. 1, at the i th iteration, we have

$$Z_{i+1} \subseteq \gamma_i(\mathcal{S}_i) \subseteq Z_i \subseteq \dots \subseteq Z_1 \subseteq \gamma_i(\mathcal{S}_0) \subseteq Z_0 \subseteq S .$$

Proof:

We establish the inclusions from right to left. First, line 1 shows that $Z_0 = S$ which concludes the first case. Then we show that for each value of i we have $\gamma_i(\mathcal{S}_i) \subseteq Z_i$ and finally $Z_{i+1} \subseteq \gamma_i(\mathcal{S}_i)$.

We conclude from line 9 that $\mathcal{S}_i \subseteq \alpha_i(Z_i)$, hence that $\gamma_i(\mathcal{S}_i) \subseteq \gamma_i \circ \alpha_i(Z_i)$ by monotonicity of γ_i and finally that $\gamma_i(\mathcal{S}_i) \subseteq Z_i$ by Lem. 5.1.

The last case $Z_{i+1} \subseteq \gamma_i(\mathcal{S}_i)$ directly follows from the definition of $Z_{i+1} = \gamma_i(\mathcal{S}_i) \cap \widetilde{pre}_N(\gamma_i(\mathcal{S}_i))$ given at line 12. \square

Lemma 5.3. In Alg. 1, at the i th iteration, we have $post_N^*(m_0) \subseteq \gamma_i(\mathcal{R}_i)$.

Proof:

Eq. (3) shows that $\alpha_i(post_N^*(m_0)) \subseteq lfp \lambda X. \alpha_i(m_0 \cup post_N(\gamma_i(X)))$, hence that $\alpha_i(post_N^*(m_0)) \subseteq post_N^*(\widehat{m}_0)$ by Prop. 4.1, and finally that $\alpha_i(post_N^*(m_0)) \subseteq \mathcal{R}_i$ by (A_1) . Hence we find that $post_N^*(m_0) \subseteq \gamma_i(\mathcal{R}_i)$ by $\xleftarrow{\gamma_i} \xrightarrow{\alpha_i}$. \square

Proposition 5.1. (Soundness)

If Alg. 1 says “OK” then we have $post^*(m_0) \subseteq S$.

Proof:

If Alg. 1 says “OK” then

$$\begin{array}{ll}
 \mathcal{R}_i \subseteq \alpha_i(Z_i) & \\
 \Rightarrow \gamma_i(\mathcal{R}_i) \subseteq \gamma_i \circ \alpha_i(Z_i) & \gamma_i \text{ is monotonic} \\
 \Rightarrow \gamma_i(\mathcal{R}_i) \subseteq Z_i & \text{Lem. 5.1} \\
 \Rightarrow \gamma_i(\mathcal{R}_i) \subseteq S & \text{Lem. 5.2} \\
 \Rightarrow post_N^*(m_0) \subseteq S & \text{Lem. 5.3}
 \end{array}$$

\square

We need the intermediary result of Lem. 5.4 to establish the completeness of Alg. 1.

Lemma 5.4. In Alg. 1 if at some iteration i we have $post_N^*(m_0) \not\subseteq Z_i$ then $post_N^*(m_0) \not\subseteq S$.

Proof:

The proof is by induction on i .

base case. Trivial since line 1 defines Z_0 to be S .

inductive case.

$$\begin{array}{ll}
 post_N^*(m_0) \not\subseteq Z_{i+1} & \\
 \Leftrightarrow post_N^*(m_0) \not\subseteq \gamma_i(\mathcal{S}_i) \cap \widetilde{pre}_N(\gamma_i(\mathcal{S}_i)) & \text{def. of } Z_{i+1} \\
 \Rightarrow post_N^*(m_0) \not\subseteq \widetilde{pre}_N^*(\gamma_i(\mathcal{S}_i)) & \widetilde{pre}_N^*(\gamma_i(\mathcal{S}_i)) \subseteq \gamma_i(\mathcal{S}_i) \cap \widetilde{pre}_N(\gamma_i(\mathcal{S}_i)) \\
 \Rightarrow post_N^*(m_0) \not\subseteq \gamma_i(\mathcal{S}_i) & \widetilde{pre}_N^*(Y): \text{ the markings stuck in } Y \\
 \Leftrightarrow post_N^*(m_0) \not\subseteq \gamma_i(gfp \lambda X. \alpha_i(Z_i) \cap \mathcal{R}_i \cap \widetilde{pre}_N[T_A](X)) & \text{def. of } \mathcal{S}_i \\
 \Rightarrow post_N^*(m_0) \not\subseteq gfp \lambda X. Z_i \cap \gamma_i(\mathcal{R}_i) \cap \widetilde{pre}_N(X) & (4) \\
 \Leftrightarrow post_N^*(m_0) \not\subseteq \widetilde{pre}_N^*(Z_i \cap \gamma_i(\mathcal{R}_i)) & \text{def. of } \widetilde{pre}_N^* \\
 \Rightarrow post_N^*(m_0) \not\subseteq Z_i \cap \gamma_i(\mathcal{R}_i) & \widetilde{pre}_N^*(Y): \text{ the markings stuck in } Y \\
 \Rightarrow post_N^*(m_0) \not\subseteq Z_i & \text{Lem. 5.3} \\
 \Rightarrow post_N^*(m_0) \not\subseteq S & \text{induction hypothesis}
 \end{array}$$

\square

Proposition 5.2. (Completeness)

If Alg. 1 says “KO” then we have $post_N^*(m_0) \subseteq S$.

Proof:

If Alg. 1 says “KO” then

$$\begin{aligned}
& \widehat{m}_0 \not\subseteq \mathcal{S}_i \\
& \Leftrightarrow \alpha_i(m_0) \not\subseteq \mathcal{S}_i && \text{def. of } \widehat{m}_0 \\
& \Rightarrow \alpha_i(m_0) \not\subseteq \alpha_i(\text{gfp } \lambda X. Z_i \cap \gamma_i(\mathcal{R}_i) \cap \widetilde{\text{pre}}_N(X)) && (3) \\
& \Rightarrow m_0 \not\subseteq \text{gfp } \lambda X. Z_i \cap \gamma_i(\mathcal{R}_i) \cap \widetilde{\text{pre}}_N(X) && \alpha_i \text{ monotonicity} \\
& \Leftrightarrow \text{lfp } \lambda X. m_0 \cup \text{post}(X) \not\subseteq Z_i \cap \gamma_i(\mathcal{R}_i) && (1) \text{ iff } (2) \\
& \Rightarrow \text{lfp } \lambda X. m_0 \cup \text{post}(X) \not\subseteq Z_i && \text{Lem. 5.3} \\
& \Rightarrow \text{lfp } \lambda X. m_0 \cup \text{post}(X) \not\subseteq S && \text{Lem. 5.4}
\end{aligned}$$

□

Proposition 5.3. (Termination)

Algorithm 1 terminates.

Proof:

We start by recalling the result of Lem. 5.2 which shows that

$$Z_0 \supseteq Z_1 \supseteq \dots \supseteq Z_i \supseteq Z_{i+1} \supseteq \dots$$

Consider the sequence of Z_i 's and assume that from index i we have $Z_{i+1} = Z_i$.

$$\begin{aligned}
& Z_{i+1} = \gamma_i(\mathcal{S}_i) \cap \widetilde{\text{pre}}_N(\gamma_i(\mathcal{S}_i)) && \text{def. of } Z_{i+1} \\
& \Rightarrow Z_{i+1} \subseteq \widetilde{\text{pre}}_N(\gamma_i(\mathcal{S}_i)) \\
& \Rightarrow Z_{i+1} \subseteq \widetilde{\text{pre}}_N(Z_i) && \text{Lem. 5.2, } \widetilde{\text{pre}}_N \text{ monotonicity} \\
& \Leftrightarrow Z_{i+1} \subseteq \widetilde{\text{pre}}_N(Z_{i+1}) && Z_{i+1} = Z_i \\
& \Leftrightarrow Z_j \subseteq \widetilde{\text{pre}}_N(Z_j) && \text{let } j = i + 1 \\
& \Leftrightarrow \text{post}_N(Z_j) \subseteq Z_j && (\text{Gc}) \\
& \Rightarrow \alpha_j \circ \text{post}_N(Z_j) \subseteq \alpha_j(Z_j) && \alpha_j \text{ is monotonic} \\
& \Rightarrow \alpha_j \circ \text{post}_N(\gamma_j \circ \alpha_j(Z_j)) \subseteq \alpha_j(Z_j) && \text{Lem. 5.1} \\
& \Rightarrow \text{post}_{\widehat{N}}(\alpha_j(Z_j)) \subseteq \alpha_j(Z_j) && \text{Prop. 4.1}
\end{aligned}$$

Then, provided $\widehat{m}_0 \subseteq \alpha_j(Z_j)$ holds, so does $\text{lfp } \lambda X. \widehat{m}_0 \cup \text{post}_{\widehat{N}}(X) \subseteq \alpha_j(Z_j)$ and line 6 shows that the Alg. 1 terminates by property A4 of the Checker called at line 5. Or we have, $\widehat{m}_0 \not\subseteq \alpha_j(Z_j)$ which yields $\widehat{m}_0 \not\subseteq \mathcal{S}_j$ as follows. We conclude from Lem. 5.2 that $\gamma_j(\mathcal{S}_j) \subseteq Z_j$, hence that $\alpha_j \circ \gamma_j(\mathcal{S}_j) \subseteq \alpha_j(Z_j)$ by monotonicity of α_j and finally that $\mathcal{S}_j \subseteq \alpha_j(Z_j)$ since $\alpha_j \circ \gamma_j = \lambda x. x$ by Galois insertion. To conclude this part of the proof, we see that the test of line 10 succeeds and Alg. 1 terminates.

Now we assume that the sequence of Z_i 's strictly decreases, i.e. $Z_{i+1} \subset Z_i$. First recall that the ordered set $\langle \subseteq, \text{DCS}(\mathbb{N}^k) \rangle$ is a wqo. We conclude from A2, Lem. 4.1, \leq -dc-set are closed to $\widetilde{\text{pre}}$ and \cap that for each value of i in Alg. 1 we have $Z_i \in \text{DCS}(\mathbb{N}^k)$. However \leq defines a wqo and following [15, Lem. 2] there is no infinite strictly decreasing sequence of $\langle \subseteq, \text{DCS}(\mathbb{N}^k) \rangle$, hence a contradiction. □

6. Efficient implementation

We implemented Alg. 1 with the checker of [17] in a naïve way and presented experimental results in [16]. Those results showed that our algorithm is able to build Petri nets \widehat{N} that are small but precise enough to conclude. Hence, preliminary experiments validated our new approach. However, the

resources (time/memory) needed by our prototype was huge for large Petri nets. In particular the refinement step (line 13) and the \widetilde{pre}_N operator are not efficient. In the sequel, we first present improvements that dramatically decrease the resources used by our algorithm. We assume from now that **Checker** does not take in input a \leq -dc-set S but its complement³. To simplify the correction proof of our improved algorithm, we also assume the following for any Petri net $N = (P, T, F, m_0)$ and any \leq -uc-sets U and I such that $post_N^*(m_0) \cap U \neq \emptyset$ and $post_N^*(m_0) \cap I = \emptyset$: The overapproximations \mathcal{R}_1 and \mathcal{R}_2 returned by **Checker** when applied, resp., to the target sets U and $U \cup I$ are such that

$$\mathcal{R}_1 = \mathcal{R}_2 \quad . \quad (\text{A5})$$

This last assumption is verified by most of the model checking algorithms [21, 17, 18].

6.1. Replacing the greatest fixpoint by a least fixpoint

In practice, the abstract greatest fixpoint \mathcal{S}_i given by $gfp \lambda X. \alpha_i(Z_i) \cap \mathcal{R}_i \cap \widetilde{pre}_{\widehat{N}}[T_{A_i}](X)$ is costly to compute, and, in particular, the operator \widetilde{pre} . To avoid that problem, we can compute its complement instead. Following the same idea, we could avoid to compute the set Z_{i+1} but computing its complement instead. This is equivalent since Z_{i+1} can be represented exactly with an abstraction if and only if its complement can be represented exactly with the same abstraction as shown below.

Lemma 6.1. Let $A \in \mathcal{A}^{k_A \times k}$, the set $\gamma_A(\mathbb{N}^{k_A})$ is closed under union, intersection and complement.

Proof:

We know that each Galois connection satisfies the Moore closure property, which means that the set $\gamma_A(\mathbb{N}^{k_A})$ is closed to intersection. Next we have that

$$\begin{aligned} \gamma_A \circ \alpha_A(S) = S &\Leftrightarrow \neg \circ \gamma_A \circ \alpha_A(S) = \neg S \\ &\Leftrightarrow \gamma_A \circ \neg \circ \alpha_A(S) = \neg S && \text{Lem. 4.1} \\ &\Leftrightarrow \gamma_A \circ \alpha_A(\neg S) = \neg S && \text{Lem. 4.1} \end{aligned}$$

Finally, note that $S_1 \cup S_2 = \neg(\neg S_1 \cap \neg S_2)$. Hence, the closure under intersection and complement implies the closure under union. \square

Moreover, Lemma 6.1 implies that the concretization function is additive.

Lemma 6.2. Let $A \in \mathcal{A}^{k_A \times k}$ and $S_1, S_2 \subseteq \mathbb{N}^{k_A}$, we have that $\gamma_A(S_1 \cup S_2) = \gamma_A(S_1) \cup \gamma_A(S_2)$.

Proof:

$$\begin{aligned} \gamma_A(S_1 \cup S_2) &= \gamma_A(\alpha_A \circ \gamma_A(S_1) \cup \alpha_A \circ \gamma_A(S_2)) && S_i = \alpha_A \circ \gamma_A(S_i) \\ &= \gamma_A \circ \alpha_A(\gamma_A(S_1) \cup \gamma_A(S_2)) && \alpha_A \text{ is additive} \end{aligned}$$

Finally, applying Lemma 6.1, we conclude that $\gamma_A \circ \alpha_A(\gamma_A(S_1) \cup \gamma_A(S_2)) = \gamma_A(S_1) \cup \gamma_A(S_2)$. \square

We now give a characterization of the complement of the sets \mathcal{S}_i and Z_i that uses pre instead of \widetilde{pre} .

Proposition 6.1. In Alg. 1, at the i th iteration, we have

$$\neg \mathcal{S}_i = lfp \lambda X. \alpha_i(\neg Z_i) \cup \neg \mathcal{R}_i \cup pre_{\widehat{N}}[T_{A_i}](X) \quad \text{and} \quad \neg Z_i = \neg \gamma_i(\mathcal{S}_i) \cup pre_N(\neg \gamma_i(\mathcal{S}_i)) \quad .$$

³Notice that it is in general the case in practice.

Algorithm 2: Algorithm that solves the coverability problem without \widetilde{pre} and complement, assume $\{m_0\} \subseteq S$

Data: A Petri net $N = (P, T, F, m_0)$, a \leq -dc-set S

- 1 $Z'_0 = \neg S$
- 2 $A'_0 = \lceil Z'_0 \rceil$
- 3 **for** $i = 0, 1, 2, 3, \dots$ **do**
- 4 **Abstract:** Given A'_i , compute \hat{N}' given by def. 4.1.
- 5 **Verify:** $(answer, \mathcal{R}'_i) = \text{Checker}(\widehat{m}_0, post_{\hat{N}'}(\alpha'_i(Z'_i)))$
- 6 **if** $answer == OK$ **then**
- 7 **return** OK
- 8 **else**
- 9 Let $S'_i = lfp \lambda X. \uparrow((\alpha'_i(Z'_i) \cup pre_{\hat{N}'}[T_{A_i}](X)) \cap \mathcal{R}'_i)$
- 10 **if** $\widehat{m}_0 \in S'_i$ **then return** KO
- 11 **end**
- 12 Let $Z'_{i+1} = \uparrow((\gamma'_i(S'_i) \cup pre_N(\gamma'_i(S'_i))) \cap \gamma'_i(\mathcal{R}'_i))$
- 13 **Refine:** Let $A'_{i+1} = A'_i \wedge \lceil Z'_{i+1} \rceil$
- 14 **end**

Proof:

$$\begin{aligned}
\neg \mathcal{S}_i &= \neg gfp \lambda X. \alpha_i(Z_i) \cap \mathcal{R}_i \cap \widetilde{pre}_{\hat{N}}[T_{A_i}](X) && \text{def. of } \mathcal{S}_i \\
&= lfp \lambda X. \neg(\alpha_i(Z_i) \cap \mathcal{R}_i \cap \widetilde{pre}_{\hat{N}}[T_{A_i}](\neg X)) && \text{Park's theorem [24]} \\
&= lfp \lambda X. \neg\alpha_i(Z_i) \cup \neg\mathcal{R}_i \cup \neg(\widetilde{pre}_{\hat{N}}[T_{A_i}](\neg X)) \\
&= lfp \lambda X. \neg\alpha_i(Z_i) \cup \neg\mathcal{R}_i \cup \neg \circ \neg \circ pre_{\hat{N}}[T_{A_i}] \circ \neg \circ \neg(X) && \text{def. of } \widetilde{pre} \\
&= lfp \lambda X. \neg\alpha_i(Z_i) \cup \neg\mathcal{R}_i \cup pre_{\hat{N}}[T_{A_i}](X) && \neg \circ \neg = \lambda x. x \\
&= lfp \lambda X. \alpha_i(\neg Z_i) \cup \neg\mathcal{R}_i \cup pre_{\hat{N}}[T_{A_i}](X) && \text{Lem. 4.1, Lem. 5.1}
\end{aligned}$$

The second assertion is obvious. □

The formulation of the set $\neg \mathcal{S}_i$ given by Prop. 6.1 contains the negation of the set \mathcal{R}_i that may be costly to compute in practice. Hence, that formulation is not satisfactory to design an efficient algorithm. Since the set \mathcal{R}_i is computed at each iteration, we propose to take implicitly into account the set $\neg \mathcal{R}_i$ when computing $\neg \mathcal{S}_i$. In other words, we do not compute $\neg \mathcal{S}_i$ but a set \mathcal{S}'_i such that $\neg \mathcal{S}_i = \mathcal{S}'_i \cup \neg \mathcal{R}_i$.

Algorithm 2 computes such sets without using \widetilde{pre} and complement. In that algorithm, we use the notation α'_i and γ'_i instead of $\alpha_{A'_i}$ and $\gamma_{A'_i}$. Instead of computing the sets \mathcal{S}_i and Z_i , the algorithm computes, respectively, the sets \mathcal{S}'_i and Z'_i . Intuitively, the sets \mathcal{S}'_i are (\leq -upward closed) over-approximations of the set of markings of the Petri net \hat{N}' that are in \mathcal{R}_i allowing to reach $\alpha'_i(Z'_i)$. To prove its correction, we first prove Lem. 6.3 that states the relation between the sets computed by Alg. 1 and Alg. 2.

Lemma 6.3. Let N be a Petri net given by (P, T, F, m_0) and a \leq -dc-set $S \subseteq \mathbb{N}^k$. Assume that Algorithm 1 and 2 compute the sets $\mathcal{S}_i, \mathcal{S}'_i, Z_{i+1}, Z'_{i+1}$ and for all $0 \leq j \leq i, A_j = A'_j$. Then, we have that $\neg \mathcal{S}_i = \mathcal{S}'_i \cup \neg \mathcal{R}_i$ and $\neg Z_{i+1} = Z'_{i+1} \cup \gamma_i(\neg \mathcal{R}_i)$.

Proof:

The proof is by induction on i .

$\boxed{i = 0}$ First, $A_0 = A'_0$, and $\neg Z_0 = Z'_0$ implies that $\mathcal{R}_0 = \mathcal{R}'_0$, $\alpha'_0 = \alpha_0$, and $\gamma'_0 = \gamma_0$ (lines 4-5 of Alg. 1 and 2 and (A5)).

$$\begin{aligned}
\mathcal{S}'_0 \cup \neg \mathcal{R}_0 &= \neg \mathcal{R}_0 \cup \text{lf}p\lambda X. \uparrow((\alpha_0(Z'_0) \cup \text{pre}_{\hat{N}}[T_{A_0}](X)) \cap \mathcal{R}_0) && \mathcal{R}_0 = \mathcal{R}'_0, \alpha'_0 = \alpha_0 \\
&= \text{lf}p\lambda X. \uparrow((\alpha_0(Z'_0) \cup \text{pre}_{\hat{N}}[T_{A_0}](X)) \cap \mathcal{R}_0) \cup \neg \mathcal{R}_0 && \text{pre}_{\hat{N}}(\neg \mathcal{R}_0) \subseteq \neg \mathcal{R}_0, \text{pre is additive} \\
&= \text{lf}p\lambda X. \uparrow(((\alpha_0(Z'_0) \cup \text{pre}_{\hat{N}}[T_{A_0}](X)) \cap \mathcal{R}_0) \cup \neg \mathcal{R}_0) && \neg \mathcal{R}_0: \leq\text{-uc-set} \\
&= \text{lf}p\lambda X. \uparrow(\alpha_0(\neg Z_0) \cup \text{pre}_{\hat{N}}[T_{A_0}](X) \cup \neg \mathcal{R}_0) && \text{Alg. 1 line 1, Alg. 2, line 1} \\
&= \text{lf}p\lambda X. \alpha_0(\neg Z_0) \cup \text{pre}_{\hat{N}}[T_{A_0}](X) \cup \neg \mathcal{R}_0 && \alpha_0(\neg Z_0), \neg \mathcal{R}_0: \leq\text{-uc-set} \\
&= \neg \mathcal{S}_0 && \text{Prop. 6.1}
\end{aligned}$$

and

$$\begin{aligned}
Z'_1 \cup \gamma_0(\neg \mathcal{R}_0) &= \gamma_0(\neg \mathcal{R}_0) \cup \uparrow((\gamma_0(\mathcal{S}'_0) \cup \text{pre}_N(\gamma_0(\mathcal{S}'_0))) \cap \gamma_0(\mathcal{R}_0)) && \mathcal{R}_0 = \mathcal{R}'_0, \gamma'_0 = \gamma_0 \\
&= \uparrow\left(\left(\left(\gamma_0(\mathcal{S}'_0) \cup \text{pre}_N(\gamma_0(\mathcal{S}'_0))\right) \cap \gamma_0(\mathcal{R}_0)\right) \cup \gamma_0(\neg \mathcal{R}_0)\right) && \gamma_0(\neg \mathcal{R}_0): \leq\text{-uc-set} \\
&= \uparrow(\gamma_0(\mathcal{S}'_0) \cup \text{pre}_N(\gamma_0(\mathcal{S}'_0)) \cup \gamma_0(\neg \mathcal{R}_0)) && \text{Lem. 4.1} \\
&= \gamma_0(\mathcal{S}'_0) \cup \text{pre}_N(\gamma_0(\mathcal{S}'_0)) \cup \gamma_0(\neg \mathcal{R}_0) && \gamma_0(\mathcal{S}'_0), \gamma_0(\neg \mathcal{R}_0): \leq\text{-uc-set} \\
&= \gamma_0(\mathcal{S}'_0) \cup \text{pre}_N(\gamma_0(\mathcal{S}'_0)) \cup \text{pre}_N(\gamma_0(\neg \mathcal{R}_0)) \cup \gamma_0(\neg \mathcal{R}_0) && \text{pre}_N(\gamma_0(\neg \mathcal{R}_0)) \subseteq \gamma_0(\neg \mathcal{R}_0) \\
&= \gamma_0(\mathcal{S}'_0) \cup \text{pre}_N(\gamma_0(\mathcal{S}'_0) \cup \gamma_0(\neg \mathcal{R}_0)) \cup \gamma_0(\neg \mathcal{R}_0) && \text{pre}_N \text{ is additive} \\
&= \gamma_0(\mathcal{S}'_0 \cup \neg \mathcal{R}_0) \cup \text{pre}_N(\gamma_0(\mathcal{S}'_0 \cup \neg \mathcal{R}_0)) && \text{Lem. 6.2} \\
&= \gamma_0(\neg \mathcal{S}_0) \cup \text{pre}_N(\gamma_0(\neg \mathcal{S}_0)) && \text{see above} \\
&= \neg Z_1 && \text{Lem. 4.1, Prop. 6.1}
\end{aligned}$$

$\boxed{i > 0}$ By ind. hyp., we have that $\neg Z_i = Z'_i \cup \gamma_{i-1}(\neg \mathcal{R}_{i-1})$. Note that $\text{post}_N^*(m_0) \subseteq \gamma_{i-1}(\mathcal{R}_{i-1})$ and Lemma 4.1 implies that $\text{post}_N^*(m_0) \cap \gamma_{i-1}(\neg \mathcal{R}_{i-1}) = \emptyset$. Furthermore, $A_i = A'_i$ by hyp. Hence, we have that $\mathcal{R}_i = \mathcal{R}'_i$ (lines 4-5 of Alg. 1 and 2 and (A5)).

$$\begin{aligned}
\mathcal{S}'_i \cup \neg \mathcal{R}_i &= \neg \mathcal{R}_i \cup \text{lf}p\lambda X. \uparrow((\alpha_i(Z'_i) \cup \text{pre}_{\hat{N}}[T_{A_i}](X)) \cap \mathcal{R}_i) && \mathcal{R}_i = \mathcal{R}'_i \\
&= \text{lf}p\lambda X. \uparrow((\alpha_i(Z'_i) \cup \text{pre}_{\hat{N}}[T_{A_i}](X)) \cap \mathcal{R}_i) \cup \neg \mathcal{R}_i && \text{pre}_{\hat{N}}(\neg \mathcal{R}_i) \subseteq \neg \mathcal{R}_i \\
&= \text{lf}p\lambda X. \uparrow(((\alpha_i(Z'_i) \cup \text{pre}_{\hat{N}}[T_{A_i}](X)) \cap \mathcal{R}_i) \cup \neg \mathcal{R}_i) && \text{pre is additive} \\
&= \text{lf}p\lambda X. \uparrow(\alpha_i(Z'_i) \cup \text{pre}_{\hat{N}}[T_{A_i}](X) \cup \neg \mathcal{R}_i) && \neg \mathcal{R}_i: \leq\text{-uc-set} \\
&= \text{lf}p\lambda X. \uparrow(\alpha_i(Z'_i) \cup \text{pre}_{\hat{N}}[T_{A_i}](X) \cup \neg \mathcal{R}_i \cup \alpha_i \circ \gamma_{i-1}(\neg \mathcal{R}_{i-1})) && \gamma_{i-1}(\neg \mathcal{R}_{i-1}) \subseteq \gamma_i(\neg \mathcal{R}_i) \\
&= \text{lf}p\lambda X. \uparrow(\alpha_i(Z'_i \cup \gamma_{i-1}(\neg \mathcal{R}_{i-1})) \cup \text{pre}_{\hat{N}}[T_{A_i}](X) \cup \neg \mathcal{R}_i) && \alpha_i \text{ monotonicity} \\
&= \text{lf}p\lambda X. \uparrow(\alpha_i(\neg Z_i) \cup \text{pre}_{\hat{N}}[T_{A_i}](X) \cup \neg \mathcal{R}_i) && \alpha_i \circ \gamma_{i-1}(\neg \mathcal{R}_{i-1}) \subseteq \neg \mathcal{R}_i \\
&= \text{lf}p\lambda X. \alpha_i(\neg Z_i) \cup \text{pre}_{\hat{N}}[T_{A_i}](X) \cup \neg \mathcal{R}_i && \alpha_i \text{ is additive} \\
&= \neg \mathcal{S}_i && \text{ind. hyp.} \\
& && \alpha_i(Z'_i), \neg \mathcal{R}_i: \leq\text{-uc-sets} \\
& && \text{Prop. 6.1}
\end{aligned}$$

The equality $\neg Z_i = Z'_{i+1} \cup \gamma_i(\neg \mathcal{R}_i)$ is proved similarly as for $i = 0$. \square

We also need the two next lemmas.

Lemma 6.4. Let a Petri net $N = (P, T, F, m_0)$ and a $\leq\text{-dc-set}$ $S \subseteq \mathbb{N}^k$. Assume that Algorithm 1 and

2 compute at least $i > 0$ iterations and for all $0 \leq j < i$, $A_j = A'_j$. Then, for each partition $A \in \mathcal{A}^{k_A \times k}$ such that $\gamma_A \circ \alpha_A(\gamma_{i-1}(\mathcal{R}_{i-1})) = \gamma_{i-1}(\mathcal{R}_{i-1})$ we find that $\gamma_A \circ \alpha_A(Z_i) = Z_i$ iff $\gamma_A \circ \alpha_A(Z'_i) = Z'_i$.

Proof:

By hyp., we have that $A_{i-1} = A'_{i-1}$. Furthermore, if $i - 1 = 0$ then $\neg Z_{i-1} = Z'_{i-1} = \neg S$ (line 1 of Alg. 1 and 2). Otherwise, by Lemma 6.3, we have that $\neg Z_{i-1} = Z'_{i-1} \cup \gamma_{i-2}(\neg \mathcal{R}_{i-2})$. Since $post_N^*(m_0) \subseteq \gamma_{i-2}(\mathcal{R}_{i-2})$, by Lemma 4.1, we obtain that $post_N^*(m_0) \cap \gamma_{i-2}(\neg \mathcal{R}_{i-2}) = \emptyset$. Hence, we have that $\mathcal{R}_{i-1} = \mathcal{R}'_{i-1}$ (lines 4-5 of Alg. 1 and 2 and (A5)), i.e. $\gamma_{i-1}(\mathcal{R}_{i-1}) = \gamma'_{i-1}(\mathcal{R}'_{i-1}) = \mathcal{R}$. Lem. 6.1, also shows that $\gamma_A \circ \alpha_A(\neg \mathcal{R}) = \neg \mathcal{R}$. \square Lem. 6.3 shows that $\neg Z_i = Z'_i \cup \neg \mathcal{R}$, hence, using hyp. and applying Lem. 6.1 we conclude that $\gamma_A \circ \alpha_A(Z_i) = Z_i$.

\Rightarrow We conclude from Lem. 6.3 that $\neg Z_i = Z'_i \cup \neg \mathcal{R}$, hence that $\neg Z_i \cap \mathcal{R} = Z'_i \cap \mathcal{R}$ and finally that $\gamma_A \circ \alpha_A(Z'_i \cap \mathcal{R}) = Z'_i \cap \mathcal{R}$ by applying Lem. 6.1 and hyp. By def., $Z'_i = \uparrow(Z'_i \cap \mathcal{R})$. Then, Lem. 4.1 shows that $Z'_i = \uparrow(Z'_i \cap \mathcal{R}) = \uparrow(\gamma_A \circ \alpha_A(Z'_i \cap \mathcal{R})) = \gamma_A \circ \alpha_A(\uparrow(Z'_i \cap \mathcal{R})) = \gamma_A \circ \alpha_A(Z'_i)$. \square

Lemma 6.5. Let a Petri net $N = (P, T, F, m_0)$ and a \leq -dc-set $S \subseteq \mathbb{N}^k$. Assume that Algorithm 1 and 2 compute at least i iterations. Then, we have that $A_i = A'_i$.

Proof:

By induction on i . $\boxed{i=0}$ Remark that $Z_0 = S$, $Z'_0 = \neg S$. Following Lem. 6.1, for each partition $A \in \mathcal{A}^{k_A \times k}$, $\gamma_A \circ \alpha_A(S) = S$ iff $\gamma_A \circ \alpha_A(\neg S) = \neg S$. By def. of A_0 and A'_0 we conclude that $A_0 = A'_0$.

$\boxed{i > 0}$ By ind. hyp., we have that $A_{i-1} = A'_{i-1}$. Furthermore, if $i - 1 = 0$ then $\neg Z_{i-1} = Z'_{i-1} = \neg S$. Otherwise, by Lemma 6.3, we have that $\neg Z_{i-1} = Z'_{i-1} \cup \gamma_{i-2}(\neg \mathcal{R}_{i-2})$. Since $post_N^*(m_0) \subseteq \gamma_{i-2}(\mathcal{R}_{i-2})$, by Lemma 4.1, we obtain that $post_N^*(m_0) \cap \gamma_{i-2}(\neg \mathcal{R}_{i-2}) = \emptyset$. Hence, $\mathcal{R}_{i-1} = \mathcal{R}'_{i-1}$ (lines 4-5 of Alg. 1 and 2 and (A5)), i.e. $\gamma_{i-1}(\mathcal{R}_{i-1}) = \gamma'_{i-1}(\mathcal{R}'_{i-1}) = \mathcal{R}$. By def., we have that $A_i = A_{i-1} \wedge \lceil Z_i \rceil$ and $A'_i = A'_{i-1} \wedge \lceil Z'_i \rceil$, hence $A'_i = A_{i-1} \wedge \lceil Z'_i \rceil$ by induction hyp. Furthermore, by construction we see that $A_{i-1} = A_{i-1} \wedge \lceil \mathcal{R} \rceil$ and $A'_{i-1} = A'_{i-1} \wedge \lceil \mathcal{R} \rceil$, hence that $A_i = A_{i-1} \wedge \tilde{A}$ and $A'_i = A_{i-1} \wedge \tilde{A}'$ where $\tilde{A} = \lceil Z_i \rceil \wedge \lceil \mathcal{R} \rceil$ and $\tilde{A}' = \lceil Z'_i \rceil \wedge \lceil \mathcal{R} \rceil$. To conclude the proof we show that $\tilde{A} = \tilde{A}'$. Lemma 6.4 shows that $\gamma_{\tilde{A}} \circ \alpha_{\tilde{A}}(Z'_i) = Z'_i$, hence that $\tilde{A} = \tilde{A} \wedge \lceil Z'_i \rceil$. Similarly we find that $\tilde{A}' = \tilde{A}' \wedge \lceil Z_i \rceil$. Finally, $\tilde{A} = \lceil Z_i \rceil \wedge \lceil \mathcal{R} \rceil = \lceil Z_i \rceil \wedge \lceil \mathcal{R} \rceil \wedge \lceil Z'_i \rceil = \lceil Z_i \rceil \wedge \tilde{A}' = \tilde{A}'$. \square

We are now ready to prove that Algorithm 1 and Algorithm 2 returns the same answer for all the instances of the coverability problem.

Theorem 6.1. For any Petri net $N = (P, T, F, m_0)$ and \leq -dc-set $S \subseteq \mathbb{N}^k$ the following holds:

1. If Alg. 1 answers *OK* at iteration i then so does Alg. 2;
2. If Alg. 1 answers *KO* at iteration i then so does Alg. 2.

Proof:

For each $0 \leq j \leq i$ Lem. 6.5 says that $A_j = A'_j$, hence $\alpha_j = \alpha'_j$ and $\gamma_j = \gamma'_j$. Furthermore, $\neg Z_0 = Z'_0$ and for each $0 < j \leq i$ Lemma 6.3 says that $\neg Z_j = Z'_j \cup \gamma_{j-1}(\neg \mathcal{R}_{j-1})$ s.t. $post_N^*(m_0) \cap \gamma_{j-1}(\neg \mathcal{R}_{j-1}) = \emptyset$. Hence, $\mathcal{R}_j = \mathcal{R}'_j$ for all $0 \leq j \leq i$ following line 1 of Alg. 1 and 2 and (A5).

To prove Point 1, we see that $\alpha_j(m_0) = \widehat{m}_0 \in \mathcal{S}_j$, i.e. $\widehat{m}_0 \notin \neg \mathcal{S}_j$ for otherwise Alg. 1 answers *KO*. Next, we conclude from Lem. 6.3 that $\mathcal{S}'_j \subseteq \neg \mathcal{S}_j$ hence that $\widehat{m}_0 = \alpha'_j(m_0) \notin \mathcal{S}'_j$. So Alg. 2 does not

answer *KO*. Now we show that Alg. 2 answers *OK* at iteration i .

$$\begin{aligned}
Z'_i &\subseteq \neg Z_i && \text{Lem. 6.3} \\
\Rightarrow \alpha_i(Z'_i) &\subseteq \alpha_i(\neg Z_i) && \alpha_i \text{ monotonicity} \\
\Leftrightarrow \alpha'_i(Z'_i) &\subseteq \alpha_i(\neg Z_i) && \alpha'_i = \alpha_i \text{ by Lem. 6.5} \\
\Leftrightarrow \alpha'_i(Z'_i) &\subseteq \neg \alpha_i(Z_i) && \text{Lem. 4.1, Lem. 5.1} \\
\Leftrightarrow \alpha'_i(Z'_i) \cap \alpha_i(Z_i) &= \emptyset \\
\Rightarrow \alpha'_i(Z'_i) \cap \mathcal{R}_i &= \emptyset && \mathcal{R}_i \subseteq \alpha_i(Z_i) \\
\Leftrightarrow \alpha'_i(Z'_i) \cap \mathcal{R}'_i &= \emptyset && \mathcal{R}_i = \mathcal{R}'_i \\
\Rightarrow \text{Alg. 2 answers "OK"} &\text{ at iteration } i.
\end{aligned}$$

We now prove Point 2. We see that (i) $\text{post}_N^*(m_0) \not\subseteq Z_j$ by hyp.; (ii) $\neg Z_j = Z'_j \cup \gamma_{j-1}(\neg \mathcal{R}_{j-1})$ from Lem. 6.3 (if $j > 0$); and hence (iii) $\text{post}_N^*(m_0) \subseteq \gamma_{j-1}(\mathcal{R}_{j-1})$ (if $j > 0$), and finally $\text{post}_N^*(m_0) \cap \gamma_{j-1}(\neg \mathcal{R}_{j-1}) = \emptyset$ by Lem. 4.1. Furthermore, $Z_0 = Z'_0$. Hence, $\text{post}_N^*(m_0) \cap Z'_j \neq \emptyset$ for each $0 \leq j \leq i$ and Alg. 2 does not answer *OK* by property of the Checker. By hyp. we find that $\widehat{m}_0 \in \mathcal{S}_j$ for each $0 \leq j < i$ ($\widehat{m}_0 \notin \neg \mathcal{S}_j$) but $\widehat{m}_0 \notin \mathcal{S}_i$ ($\widehat{m}_0 \in \neg \mathcal{S}_i$). Note that $\widehat{m}_0 \notin \neg \mathcal{R}_j$ by definition of \mathcal{R}_j for each $0 \leq j \leq i$. Then, according to Lem. 6.3 which shows that $\neg \mathcal{S}_j = \mathcal{S}'_j \cup \neg \mathcal{R}_j$ for $0 \leq j \leq i$, we find that $\widehat{m}_0 \notin \mathcal{S}'_j$ for $0 \leq j < i$ and $\widehat{m}_0 \in \mathcal{S}'_i$. So Alg. 2 answers *KO* at iteration i . \square

Finally, note that termination of Algorithm 2 is directly implied by Theorem 6.1.

6.2. Efficient computation of a new abstraction

In this section we give efficient algorithms to implement the operation needed at lines 2 and 13. Indeed, the naïve approach to build A'_i ($i \geq 0$) enumerates the set of all the partitions of P , which is exponential in the number of places.

Instead, we present the algorithm refinement that given a set of markings M computes the coarsest partition A which is able to represent M precisely without enumerating the partitions. The algorithm starts from the \preceq -minimal partition then the algorithm chooses non-deterministically two candidate classes and merge them in a unique class. If this new partition still represents M precisely, we iterate the procedure. Otherwise the algorithm tries choosing different candidates. The algorithm is presented in Alg. 3 in which we use the following notation: given a partition $A = \{C_i\}_{i \in [1..k_A]}$ of $[1..k]$, we denote by A_{C_i} the partition $\{C_i\} \cup \{\{s\} \mid s \in [1..k] \wedge s \notin C_i\}$.

Algorithm 3: refinement

Input: $M \subseteq \mathbb{N}^k$
Let A be $\{\{1\}, \{2\}, \dots, \{k\}\}$;
while $\exists C_i, C_j \in A : C_i \neq C_j$ and $\gamma_{A_{C_i \cup C_j}} \circ \alpha_{A_{C_i \cup C_j}}(M) \subseteq M$ **do**
1 Let $C_i, C_j \in A$ such that $C_i \neq C_j$ and $\gamma_{A_{C_i \cup C_j}} \circ \alpha_{A_{C_i \cup C_j}}(M) \subseteq M$;
2 $A \leftarrow (A \setminus \{C_i, C_j\}) \cup \{C_i \cup C_j\}$;

We first prove the following lemma.

Lemma 6.6. Let $A = \{C_i\}_{i \in [1..k_A]}$ be a partition of $[1..k]$, $M \subseteq \mathbb{N}^k$, we have:

$$\gamma_A \circ \alpha_A(M) \subseteq M \Leftrightarrow (\forall C_i \in A: \gamma_{A_{C_i}} \circ \alpha_{A_{C_i}}(M) \subseteq M) .$$

Proof:

We conclude from $A_{C_i} \preceq A$ and Lem. 3.3 that the implication \Rightarrow holds. For the other direction the result follows from Lem. 3.4 and the following equality: $A = \bigvee \{A_{C_i}\}_{C_i \in A}$ which follows by definition of \bigvee . Indeed, $A_{C_i} \bigvee A_{C_j}$ is given by $\{C_i, C_j\} \cup \{\{s\} \mid s \in [1..k] \wedge s \notin (C_i \cup C_j)\}$. \square

The following two lemmas and the corollary state the correctness and the optimality of Alg. 3.

Lemma 6.7. Given $M \subseteq \mathbb{N}^k$, the partition A returned by $\text{refinement}(M)$ is such that $\gamma_A \circ \alpha_A(M) = M$.

Proof:

Initially $A = \{\{1\}, \dots, \{k\}\}$ so that $\gamma_A \circ \alpha_A(M) = M$, hence $\gamma_A \circ \alpha_A(M) \subseteq M$ which is an invariant maintained by the iterations. Indeed, suppose the invariant holds before executing line 1: $\gamma_A \circ \alpha_A(M) \subseteq M$. We conclude from line 1 that $\gamma_{A_{C_i \cup C_j}} \circ \alpha_{A_{C_i \cup C_j}}(M) \subseteq M$, hence that the new value for A satisfies $\gamma_A \circ \alpha_A(M) \subseteq M$ by Lem. 6.6 and line 2. \square

Lemma 6.8. Given $M \subseteq \mathbb{N}^k$, let A be the partition returned by $\text{refinement}(M)$. There is no partition A' with $A \preceq A'$ and $A \neq A'$ such that $\gamma_{A'} \circ \alpha_{A'}(M) = M$.

Proof:

Suppose that such a partition A' exists. Since $A \preceq A'$, $\exists C_i, C_j \in A \exists C' \in A': (C_i \neq C_j) \wedge C_i \cup C_j \subseteq C'$. We conclude from Lem. 6.6 and $\gamma_{A'} \circ \alpha_{A'}(M) \subseteq M$ (hence $\gamma_{A'} \circ \alpha_{A'}(M) = M$ by $\xleftrightarrow[\alpha_{A'}]{\gamma_{A'}}$), that $\gamma_{A_{C'}} \circ \alpha_{A_{C'}}(M) = M$.

Moreover, $A_{C_i \cup C_j} \preceq A_{C'}$ shows that $\gamma_{A_{C_i \cup C_j}} \circ \alpha_{A_{C_i \cup C_j}}(M) \subseteq \gamma_{A_{C'}} \circ \alpha_{A_{C'}}(M) = M$ by Lem. 3.3 and property of Galois insertions. Hence, the equality $\gamma_{A_{C_i \cup C_j}} \circ \alpha_{A_{C_i \cup C_j}}(M) = M$ holds.

It follows that the condition of the while loop of the refinement algorithm is verified by A , hence the algorithm should execute the loop at least once more before termination and return a partition A'' such that $A \preceq A''$ and $A \neq A''$. \square

Putting together Prop. 3.2 and Lem. 6.7 and 6.8 we get:

Corollary 6.1. Given $M \subseteq \mathbb{N}^k$, the partition A returned by $\text{refinement}(M)$ is the coarsest partition representing exactly M , that is $\text{refinement}(M) = \lceil M \rceil$.

In the algorithm refinement , the termination test of the **while** loop asks to decide if $\gamma_{C_i \cup C_j} \circ \alpha_{C_i \cup C_j}(M) \subseteq M$ holds. As shown in Alg. 2, the set of markings involved at lines 2 and 13 can be characterized as a \leq -uc-set of markings which contains infinitely many markings. Hence the test is to decide whether $\gamma_{C_i \cup C_j} \circ \alpha_{C_i \cup C_j}(M) \subseteq M$ is far from being trivial. However, by taking into account the particular structure of \leq -uc-sets, we restrict the reasoning to the minimal elements of M only. Now, we can prove that a \leq -uc-set is exactly representable with an abstraction if and only if its finite canonical minor set is exactly representable with that abstraction.

Lemma 6.9. Let $A \in \mathcal{A}^{k \times k}$, $U \in UCS(\mathbb{N}^k)$ and $\text{min}(U)$ be the finite canonical minor set of U . We have that $\gamma_A \circ \alpha_A(U) \subseteq U$ if and only if $\gamma_A \circ \alpha_A(\text{min}(U)) \subseteq \text{min}(U)$.

Proof:

\Rightarrow In order to ease its understanding, the following proof is given together with Fig. 2.

$$\begin{aligned}
& \gamma_A \circ \alpha_A(\text{min}(U)) \not\subseteq \text{min}(U) \\
& \Rightarrow \exists m \exists m' : m \in \text{min}(U) \wedge m' \notin \text{min}(U) \wedge m' \in \gamma_A \circ \alpha_A(\{m\}) \\
& \Rightarrow \exists m \exists m' : m \in \text{min}(U) \wedge m' \in U \setminus \text{min}(U) \wedge m' \in \gamma_A \circ \alpha_A(\{m\}) \quad \gamma_A \circ \alpha_A(U) \subseteq U \quad (9)
\end{aligned}$$

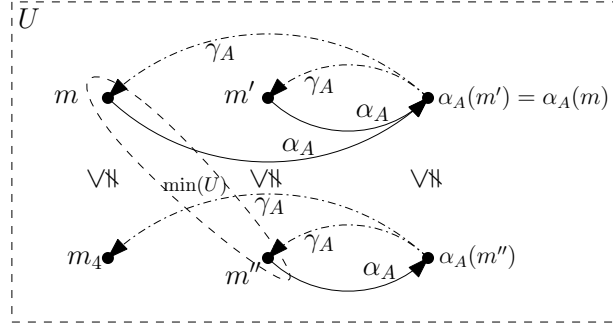


Figure 2. Graphical depiction of the reasoning given in the proof of Lem. 6.9.

Consider any such markings m, m' satisfying (9) as depicted in Fig. 2. Using the fact that U is a \leq -uc-set we deduce that

$$\begin{aligned}
& \exists m'' : m'' \in \min(U) \wedge m'' \not\leq m' \\
& \Rightarrow \exists m'' : m'' \in \min(U) \wedge \alpha_A(m'') \not\leq \alpha_A(m') && \text{Lem. 4.1} \\
& \Rightarrow \exists m'' : m'' \in \min(U) \wedge \alpha_A(m'') \not\leq \alpha_A(m') \wedge \exists m_4 : m_4 \not\leq m && \text{Lem. 4.1} \\
& \Rightarrow \exists m'' : m'' \in \min(U) \wedge \alpha_A(m'') \not\leq \alpha_A(m') \wedge \exists m_4 : m_4 \not\leq m \wedge m_4 \in U \quad \gamma_A \circ \alpha_A(U) \subseteq U
\end{aligned}$$

Hence a contradiction since $m \in \min(U) \wedge m_4 \not\leq m \wedge m_4 \in U$.

◁

$$\begin{aligned}
U &= \uparrow \min(U) \\
&\supseteq \uparrow \gamma_A \circ \alpha_A(\min(U)) && \text{by hyp., monotonicity of } \uparrow \\
&= \gamma_A \circ \alpha_A(\uparrow \min(U)) && \text{Lem. 4.1}
\end{aligned}$$

Since $\uparrow \min(U) = U$, we conclude that $\gamma_A \circ \alpha_A(U) \subseteq U$. □

From Lem. 6.9, we concentrate on the problem to decide if $\gamma_{A_S} \circ \alpha_{A_S}(M) \subseteq M$ where M is a finite set of marking and S a finite set of places.

It is important to note that a direct implementation of the test $\gamma_{A_{C_i \cup C_j}} \circ \alpha_{A_{C_i \cup C_j}}(M) \subseteq M$ is not polynomial time because the number of elements of the set $\gamma_{A_{C_i \cup C_j}} \circ \alpha_{A_{C_i \cup C_j}}(M)$ may be exponential wrt the number of elements of M . To overcome that problem, we define a polynomial algorithm to test if $\gamma_{A_{C_i \cup C_j}} \circ \alpha_{A_{C_i \cup C_j}}(M) \subseteq M$ without computing explicitly the set $\gamma_{A_{C_i \cup C_j}} \circ \alpha_{A_{C_i \cup C_j}}(M)$.

Let us assume in the rest of the section a finite set M of markings. Given a marking m over the set P of places and a set $S \subseteq P$, we define $m(S)$ to be $\sum_{p \in S} m(p)$ and $m_{/S}$ to be the marking over the places $P \setminus S$ such that $m_{/S}(p) = m(p)$ for all $p \in P \setminus S$.

Alg. 4 decides if $\gamma_{A_S} \circ \alpha_{A_S}(M) \subseteq M$. It proceeds by enumerating the markings of M , and for each marking m it compares the number of markings of M which contains as many tokens in S as does m to $\binom{m(S) + |S| - 1}{|S| - 1}$, the number of possible distributions of $m(S)$ tokens into $|S|$ places, i.e. the number of markings in $\gamma_{A_S} \circ \alpha_{A_S}(\{m\})$. If the two values are not equal for some marking $m \in M$, then we conclude that $\gamma_{A_S} \circ \alpha_{A_S}(M) \not\subseteq M$.

We define the size of the set M , noted $\text{size}(M)$, given as parameter of Alg. 4 as the sum of: the number of elements in M , the number k of places, and the number of bits needed to encode the maximal value, denoted max , appearing into a markings of M . Let us note that the test at line 4 can be evaluated in polynomial time wrt $\text{size}(M)$. Indeed, let us consider the algorithm given in [22] to compute $\binom{m(S) + |S| - 1}{|S| - 1}$. That algorithm computes $n = \min(|S| - 1, m(S))$ multiplications and n divisions.

Algorithm 4: CanIRepresentExactlyTheFiniteSet**Input:** A finite set $M \subseteq \mathbb{N}^k$ and a finite set of places $S \subseteq P$

```

1 while ( $M \neq \emptyset$ ) do
2   Let  $m \in M$ ;
3    $M' \leftarrow \{m' \in M \mid m'(S) = m(S) \text{ and } m'_{/S} = m_{/S}\}$ ;
4   if  $|M'| < \binom{m(S)+|S|-1}{|S|-1}$  then return false;
5    $M \leftarrow M \setminus M'$ ;
6 return true;

```

Hence, the number of operations computed by the algorithm is bounded by a polynomial in $\text{size}(M)$ since $|S|$ is bounded by k . Remember that multiplication/division can be computed in polynomial time wrt the number of bits used to encode the arguments. Furthermore, the number of bits to encode the result does not increase for division, i.e. it is bounded by the number of bits of the first argument, and the number of bits to encode the result of a multiplication is bounded by the sum of the bits needed for the arguments. Hence, the number of bits to encode intermediate results may increase when applying multiplications. However, a careful examination of the algorithm reveals it multiplies n values bounded by $m(S) + |S| - 1$ whose encoding uses at most $\lceil \log_2(m(S) + |S| - 1) \rceil$ bits. Hence, the intermediate results are encoded with at most $n \lceil \log_2(m(S) + |S| - 1) \rceil$ bits. Note that $\log_2(m(S) + |S| - 1) \leq \log_2(k \cdot \max + k) \leq \log_2(k \cdot \max + k \cdot \max) = \log_2(2k \cdot \max) = 1 + \log_2(k) + \log_2(\max)$ for all $\max > 0$. Hence, $\log_2(m(S) + |S| - 1)$ is bounded by a polynomial in $\text{size}(M)$, i.e. each multiplication/division is applied on arguments whose size of the encoding is bounded by a polynomial in $\text{size}(M)$. We conclude that there exists a polynomial in $\text{size}(M)$ that bounds the execution time of the algorithm that computes $\binom{m(S)+|S|-1}{|S|-1}$.

Proposition 6.2. Algorithm 4 has time complexity polynomial in $\text{size}(M)$.

Proof:

First, notice that each line of the algorithm can be computed in time polynomial in $\text{size}(M)$. Then, from lines 2,3 and 5 we know that the number of elements in the set M decreases at each iteration of the **while** loop. Since M is a finite set at the beginning of the algorithm, we conclude that M becomes empty after a finite number of iterations bounded by $\text{size}(M)$. Hence, the time complexity of Alg. 4 is polynomial in $\text{size}(M)$. \square

Theorem 6.2. Algorithm 4 returns **false** iff $\gamma_{A_S} \circ \alpha_{A_S}(M) \not\subseteq M$.

Proof:

\Rightarrow Suppose that Alg. 4 returns **false**. From lines 3 and 4, we know that there exists a marking $m \in M$ such that the size of the set $\{m' \in M \mid m'(S) = m(S) \text{ and } m'_{/S} = m_{/S}\}$ is smaller than $\binom{m(S)+|S|-1}{|S|-1}$. This means that there exists a marking m' such that $m'(S) = m(S)$, $m'_{/S} = m_{/S}$ and $m' \notin M$. Indeed, $\binom{m(S)+|S|-1}{|S|-1}$ is the number of possible distributions of $m(S)$ tokens into the places S . From the definition of m and m' , we conclude that $m' \in \gamma_{A_S} \circ \alpha_{A_S}(M)$, hence $\gamma_{A_S} \circ \alpha_{A_S}(M) \not\subseteq M$.

\Leftarrow Suppose that $\gamma_{A_S} \circ \alpha_{A_S}(M) \not\subseteq M$ but Alg. 4 returns **true**. If the algorithm returns **true** then, at line 4, it always considers markings m from M such that the set of markings $M_m = \{m' \in M \mid m'(S) = m(S) \text{ and } m'_{/S} = m_{/S}\}$ has size $s = \binom{m(S)+|S|-1}{|S|-1}$. Note that if the algorithm took another marking $m' \in M_m$ from M instead of m , $M_{m'}$ would also have size s , since $M_{m'} = M_m$, and the algorithm would also return **true**. We conclude that for each marking $m \in M$ we have that the set $\{m' \mid m'(S) = m(S) \text{ and } m'_{/S} = m_{/S}\}$ is included into M . Hence, $\gamma_{A_S} \circ \alpha_{A_S}(M) \subseteq M$, which is a contradiction with our hypothesis. \square

Table 1. **Var**: number of places of the Petri net; **Cvar**: number of places of the abstraction that allow to conclude; **Ref**: number of refinements before conclusion; **time**: execution time in seconds on Intel Xeon 3Ghz; **EEC**: execution time of the algorithm defined in [17].

	Example	Var	Cvar	Ref	time	EEC
	Unbounded PN	ME	5	4	1	<0.01s
MultiME		12	5	1	<0.01s	0.01s
FMS		22	4	1	<0.01s	10.5s
CSM		14	9	2	<0.01s	<0.01s
PNCSA		31	20	5	1s	2m42s
mesh2x2		32	9	2	0.03s	↑↑
mesh3x2		52	9	2	0.07s	↑↑
Example		Var	Cvar	Ref	time	EEC
Bounded PN	lamport	11	9	2	0.01s	<0.01s
	dekker	16	15	2	0.14s	0.03s
	peterson	14	12	2	0.06s	0.01s

7. Experimental results

We implemented Alg. 2 in C with the efficient refinement procedure given by Alg. 3 and 4. We used the symbolic data structure of [14] to represent and manipulate sets of markings; and for the model-checker referenced at line 5, we used the algorithm of [17].

We tested our method against a large set of examples. The properties we consider are mutual exclusions and the results we obtained are shown in Table 1. We distinguish two kind of examples. *Parameterized systems* describe systems where we have a parameterized number of resources: ME [10, Fig. 1], MultiME (Fig. 1 of Sect. 2), CSM [23, Fig. 76, page 154], FMS [6], the mesh 2x2 of [23, Fig. 130, page 256] and its extension to the 3x2 case. For all those infinite state Petri nets, the mutual exclusion properties depend only on a small part of the nets. We also considered the Petri net given in [12] encoding the PNCSA protocol in a high-level way. For that example, we do not test mutual exclusion but if a particular transition is firable from a reachable marking. Notice that the property holds, i.e. the PNCSA example is a negative instance while the other examples are positive instances.

The mesh 2x2 (resp. 3x2) examples corresponds to 4 (resp. 6) processors running in parallel with a load balancing mechanism that allow tasks to move from one processor to another. The mutual exclusion property says that one processor never processes two tasks at the same time. That property is local to one processor and our algorithm builds an abstraction where the behaviour of the processor we consider is exactly described and the other places are totally abstracted into one place. In that case, we manipulate subsets of \mathbb{N}^9 instead of subsets of \mathbb{N}^{32} for mesh 2x2 or \mathbb{N}^{52} for mesh 3x2.

For the other examples, we have a similar phenomenon: only a small part of the Petri nets is relevant to prove the mutual exclusion property. The rest of the net describes other aspects of the parameterized system and is abstracted by our algorithm. Hence, all the parameterized systems are analysed building an abstract Petri net with few places.

The bounded Petri Net examples are classical *algorithms to ensure mutual exclusion* of critical sections for two processes. In those cases, our method concludes building very precise abstractions, i.e. only few places are merged. The reasons are twofold: (i) the algorithms are completely dedicated to mutual exclusion, and (ii) the nets have been designed by hand in a “optimal” manner. However and quite surprisingly, we noticed that our algorithm found for those examples places that can be merged. In our opinion, this shows that our algorithm found reductions that are (too) difficult to find by hand.

Finally, concerning the execution times we see that our method is dramatically faster than the clas-

sical method that consists to directly analyse Petri nets without first decrease their size.

References

- [1] Abdulla, P. A., Cerans, K., Jonsson, B., Tsay, Y.-K.: General decidability theorems for infinite-state systems, *LICS '96: Proc. 11th Annual IEEE Symp. on Logic in Computer Science*, IEEE Computer Society, 1996.
- [2] Abdulla, P. A., Iyer, S. P., Nylén, A.: Unfoldings of Unbounded Petri Nets., *CAV '00: Proc. 12th Int. Conf. on Computer Aided Verification*, 1855, Springer, 2000.
- [3] Van Begin, L.: *Efficient Verification of Counting Abstractions for Parametric systems*, Ph.D. Thesis, Université Libre de Bruxelles, Belgium, 2003.
- [4] Berthelot, G., Roucairol, G., Valk, R.: Reductions of Nets and Parallel Programs, *Advanced Course: Net Theory and Applications*, 84, Springer, 1975.
- [5] Burris, S., Sankappanavar, H. P.: *A Course in Universal Algebra*, Springer, New York, 1981.
- [6] Ciardo, G., Miner, A.: Storage Alternatives for Large Structured State Space, *Proc. Computer Performance Evaluation 1997: 9th Int. Conf. on Modelling Techniques and Tools*, 1245, Springer, 1997.
- [7] Clarke, E. M., Grumberg, O., Jha, S., Lu, Y., Veith, H.: Counterexample-guided abstraction refinement for symbolic model checking, *J. ACM*, **50**(5), 2003, 752–794.
- [8] Cousot, P.: Partial Completeness of Abstract Fixpoint Checking, invited paper, *SARA '00: Proc. 4th Int. Symp. on Abstraction, Reformulations and Approximation*, 1864, Springer, 2000.
- [9] Cousot, P., Cousot, R.: Abstract interpretation: a unified lattice model for static analysis of programs by construction or approximation of fixpoints, *POPL '77: Proc. 4th ACM SIGACT-SIGPLAN Symp. on Principles of Programming Languages*, ACM Press, 1977.
- [10] Delzanno, G., Raskin, J.-F., Van Begin, L.: Attacking Symbolic State Explosion, *CAV '01: Proc. 13th Int. Conf. on Computer Aided Verification*, 2102, Springer, 2001.
- [11] Dickson, L. E.: Finiteness of the odd perfect and primitive abundant numbers with n distinct prime factors, *Amer. J. Math.*, **35**, 1913, 413–422.
- [12] Finkel, A.: The minimal coverability graph for Petri nets, *APN '93: Proc. of 14th Int. Conf. on Application and Theory of Petri Nets*, 674, Springer, 1993.
- [13] Finkel, A., Schnoebelen, P.: Well-structured transition systems everywhere!, *Theoretical Computer Science*, **256**(1-2), 2001, 63–92.
- [14] Ganty, P., Meuter, C., Delzanno, G., Kalyon, G., Raskin, J.-F., Van Begin, L.: *Symbolic Data Structure for sets of k -uples*, Technical report, Université Libre de Bruxelles, Belgium, 2007.
- [15] Ganty, P., Raskin, J.-F., Van Begin, L.: A Complete Abstract Interpretation Framework for Coverability Properties of WSTS, *VMCAI '06: Proc. 7th Int. Conf. on Verification, Model Checking and Abstract Interpretation*, 3855, Springer, 2006.
- [16] Ganty, P., Raskin, J.-F., Van Begin, L.: From Many Places to Few: Automatic Abstraction Refinement for Petri Nets, *ICATPN '07: Proc. of 28th Int. Conf. on Application and Theory of Petri Nets and Other Models of Concurrency*, 4546, Springer, 2007.
- [17] Geeraerts, G., Raskin, J.-F., Van Begin, L.: Expand, Enlarge and Check: new algorithms for the coverability problem of WSTS, *FSTTCS '04: Proc. 24th Int. Conf. on Foundation of Software Technology and Theoretical Computer Science*, 3328, Springer, 2004.
- [18] Geeraerts, G., Raskin, J.-F., Van Begin, L.: On the efficient Computation of the Minimal Coverability set of Petri nets, *ATVA '07: Proc. 5th Int. Symp. on Automated Technology for Verification and Analysis*, 2007.
- [19] German, S. M., Sistla, A. P.: Reasoning about Systems with Many Processes, *Journal of ACM*, **39**(3), 1992, 675–735.
- [20] Grahlmann, B.: The PEP Tool, *CAV'97: Proc. 9th Int. Conf. on Computer Aided Verification*, 1254, Springer, 1997.
- [21] Karp, R. M., Miller, R. E.: Parallel Program Schemata., *Journal of Comput. Syst. Sci.*, **3**(2), 1969, 147–195.
- [22] Manolopoulos, Y.: Binomial coefficient computation: Recursion or Iteration, *ACM SIGCSE Bulletin*, **34**(4), 2002, 65–67.
- [23] Marsan, M. A., Balbo, G., Conte, G., Donatelli, S., Franceschinis, G.: *Modelling with Generalized Stochastic Petri Nets*, Wiley series in parallel computing, Wiley, 1995.
- [24] Park, D.: Fixpoint Induction and Proofs of Program Properties, in: *Machine Intelligence*, vol. 5, American Elsevier, 1969, 59–78.